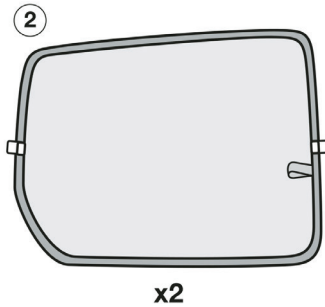
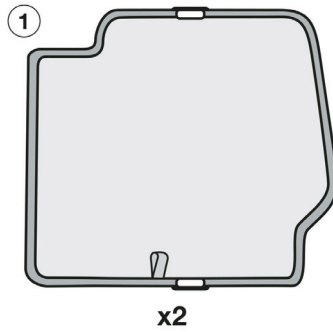


Installation Manual

SUZUKI GRAND VITARA 3DR
SUZ-GV-3-B

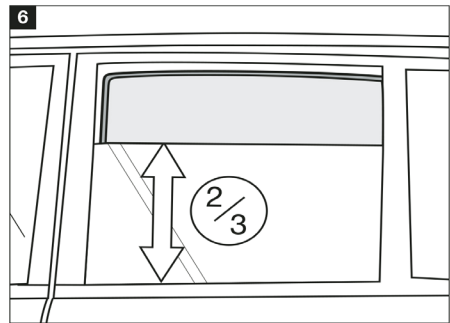
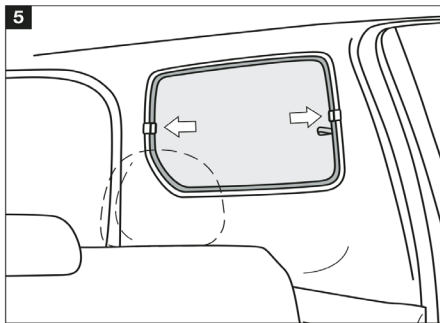
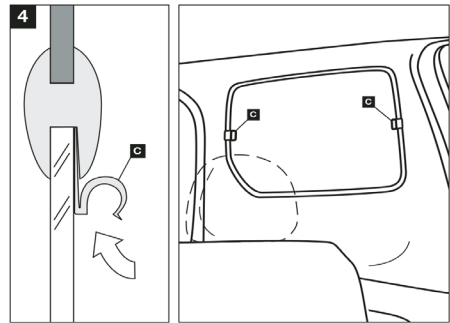
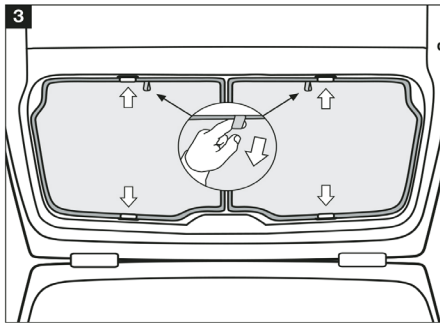
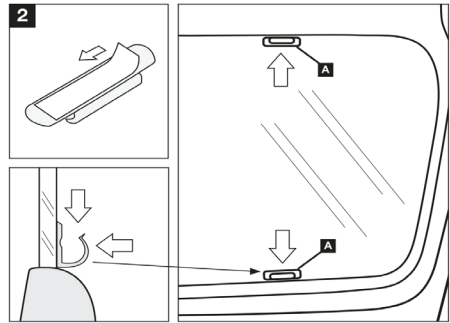
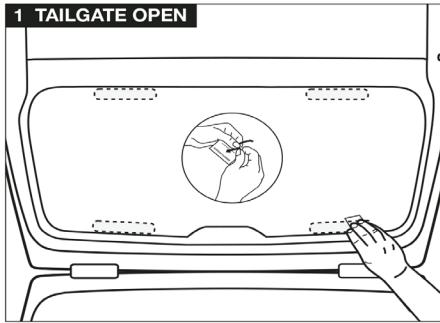


COMPONENTS INCLUDED



Installation

SUZUKI GRAND VITARA 3DR
SUZ-GV-3-B



WARNING:

Read these fitting instructions carefully before you start the installation. Rear passenger windows must not be lowered more than 1/3 whilst the blinds are fitted and the vehicle is in motion. On installation care must be taken not to scratch any paintwork with clips.