

# Art. **3CB101**

Modelli / Model:

**DAF XF, 06/21>**

**DAF XG, 06/21>**

**DAF XG+, 06/21>**



Made in Italy

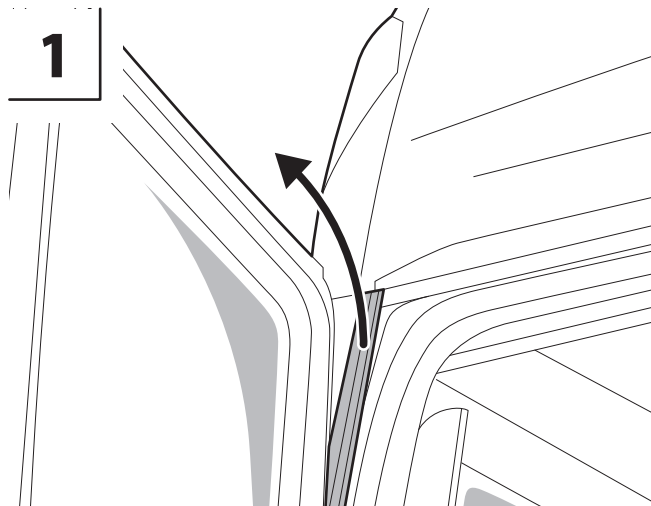
**LAMPA S.p.A.**

Via G. Rossa 53/55, 46019 Viadana (MN) ITALY

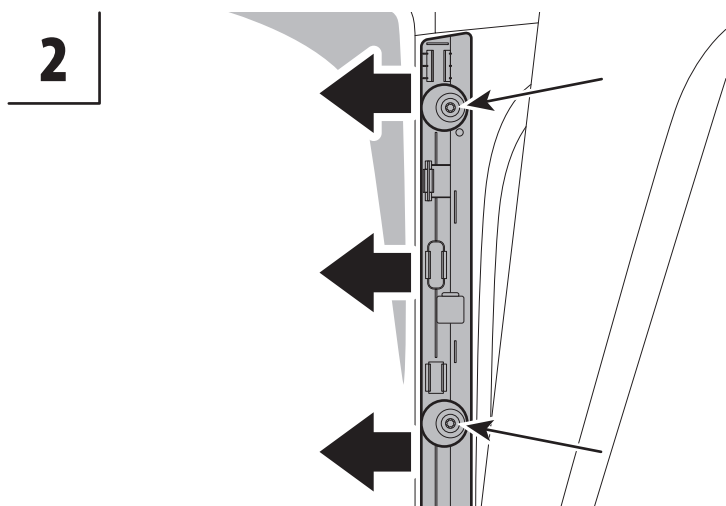
Tel. +39 0375 820700

UNI EN ISO 9001:2015 Certified Company

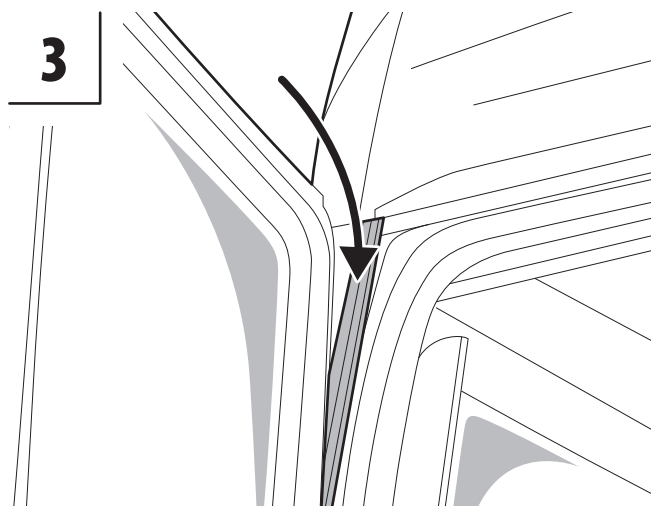
[www.lampa.it](http://www.lampa.it) | [service@lampa.it](mailto:service@lampa.it)



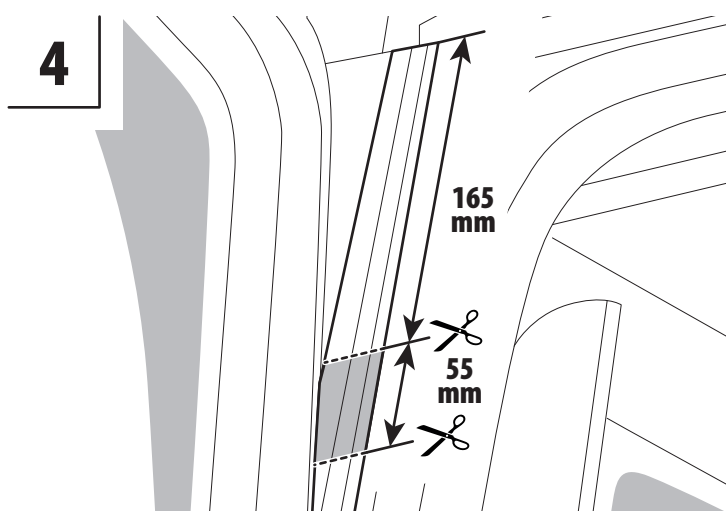
**Aprire la porta e rimuovere la copertura.**  
*Open the door and remove the cover.*



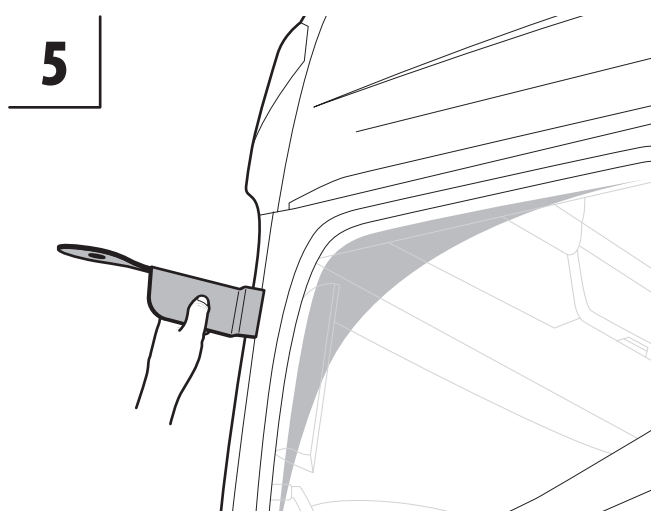
**Allentare le viti e spingere la parte in plastica a fine corsa verso sinistra. Serrare nuovamente le viti.**  
*Loosen the screws and push the plastic part to the left as far as it will go. Tighten the screws again.*



**Montare nuovamente la cover.**  
*Reinstall the cover.*



**Chiudere la porta e tagliare la cover come indicato in figura (misure consigliate).**  
*Close the door and cut the cover as shown in the figure (recommended measurements).*



**Posizionare la staffa e verificare la corretta chiusura della porta. Forare il montante seguendo i fori della staffa installata.**  
*Position the bracket and check that door closes correctly. Drill the pillar following the installed bracket holes.*