

Art. **N30183**

**CITROËN NEMO**

12/08→03/14

**CITROËN NEMO VAN**

12/08→03/14

**FIAT FIORINO**

09/08→12/24

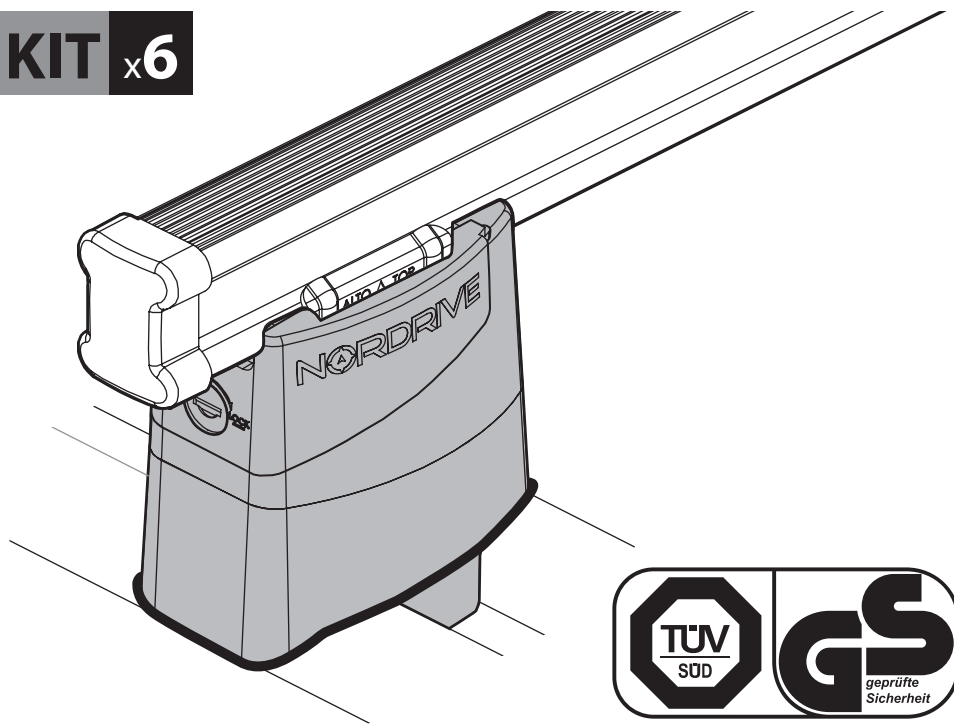
**FIAT QUBO**

09/08→05/20

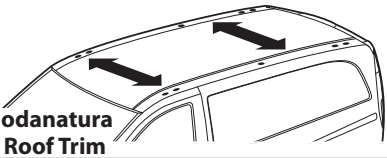
**PEUGEOT BIPPER**

05/08→03/14

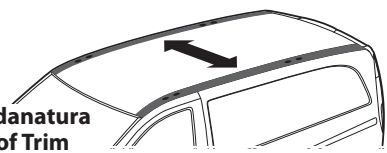
**KIT x6**



Senza Modanatura  
Without Roof Trim



Con Modanatura  
With Roof Trim



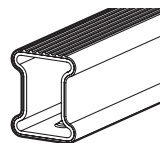
- (I) ISTRUZIONI DI MONTAGGIO
- (GB) FITTING INSTRUCTIONS
- (D) MONTAGEANLEITUNG
- (F) INSTRUCTIONS DE MONTAGE
- (E) INSTRUCCIONES DE MONTAJE
- (P) INSTRUÇÕES DE MONTAGEM
- (NL) MONTAGE-INSTRUCTIES
- (S) MONTERINGSANVISNING
- (FIN) ASENNUSOHJE
- (EST) PAIGALDUSJUHEND
- (LAT) STIPRINĀŠANAS INSTRUKCIJA
- (LT) PRITVIRTINIMO INSTRUKCIJOS
- (PL) INSTRUKCJA MONTAŻU
- (RUS) Инструкции по установке
- (CZ) NÁVOD NA MONTÁŽ
- (SK) NÁVOD NA MONTÁŽ
- (SLO) NAVODILA ZA PRITRJEVANJE
- (HR) UPUTA ZA SASTAVLJANJE
- (H) A FELSZERELÉS MÓDJA
- (GR) Οδηγίες συναρμολόγησης
- (TR) MONTAJ TALIMATLARL
- (BG) ИНСТРУКЦИИ ЗА МОНТАЖ
- (SRB) UPUTSTVA ZA MONTAŽU

- (I) ADATTO PER
- (GB) SUITABLE FOR
- (F) INDIQUÉ POUR
- (D) GEEIGNET FÜR
- (E) ADECUADA PARA

**NORDRIVE  
KARGO SERIES**



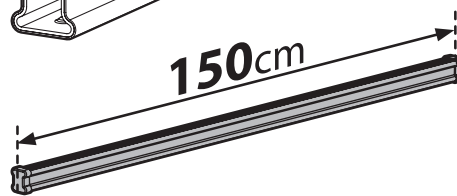
**A**



**Kargo**  
ACCIAIO  
Steel

- (I) BARRE KARGO
- (GB) KARGO BARS
- (F) BARRES KARGO
- (D) DACH-LASTENTRÄGER KARGO
- (E) BARRES KARGO

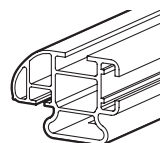
150cm



Art. **N10010** x3



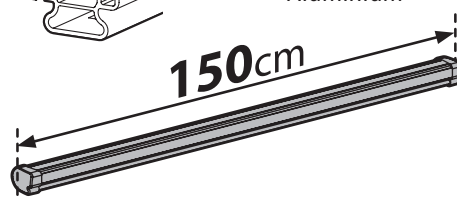
**B**



**Kargo-Plus**  
ALLUMINIO  
Aluminium

- (I) BARRE KARGO-PLUS
- (GB) KARGO-PLUS BARS
- (F) BARRES KARGO-PLUS
- (D) DACH-LASTENTRÄGER KARGO-PLUS
- (E) BARRES KARGO-PLUS

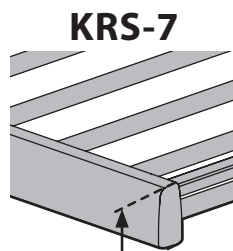
150cm



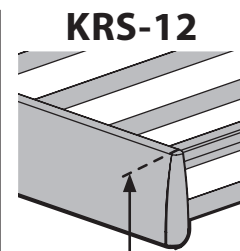
Art. **N10040** x3



**C**



7cm

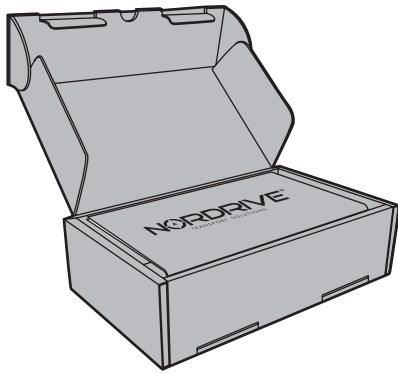


12cm

- (I) CESTE PORTATUTTO KRS-7 / KRS-12
- (GB) KRS-7 / KRS-12 VAN ROOF RACKS
- (F) GALERIE KRS-7 / KRS-12
- (D) DACHKÖRBEIN KRS-7 / KRS-12
- (E) BACAS KRS-7 / KRS-12

**NORDRIVE**<sup>®</sup>

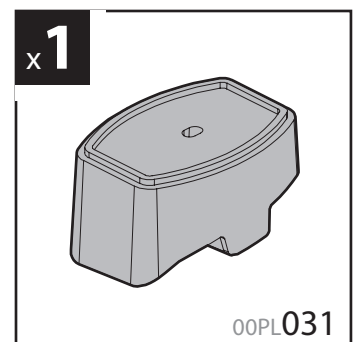
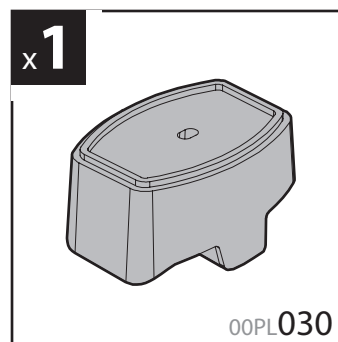
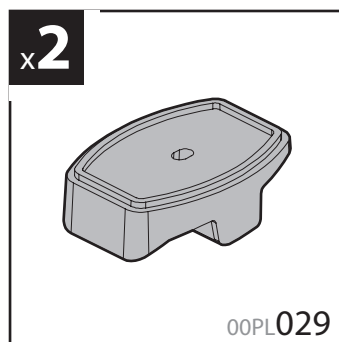
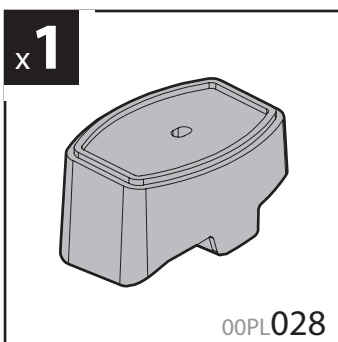
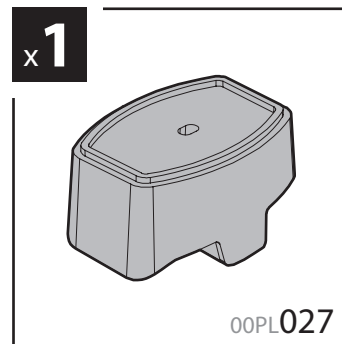
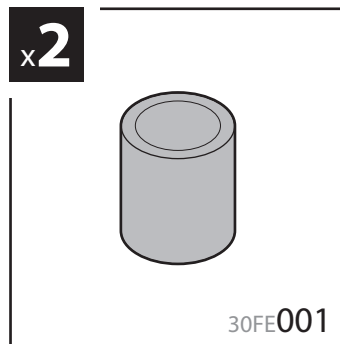
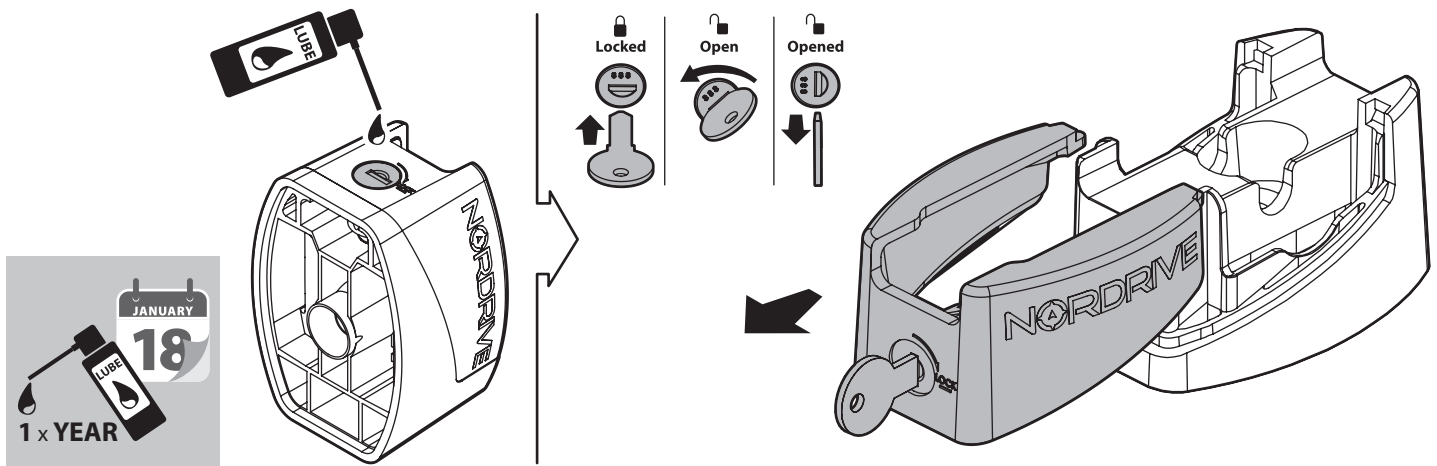
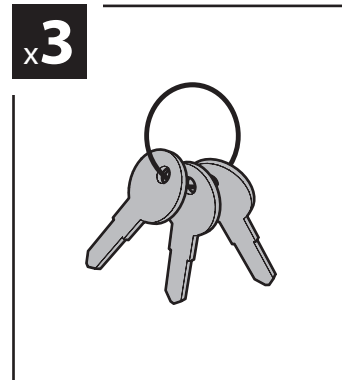
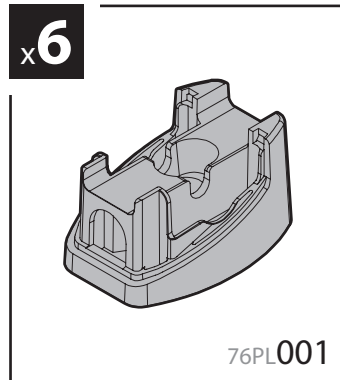
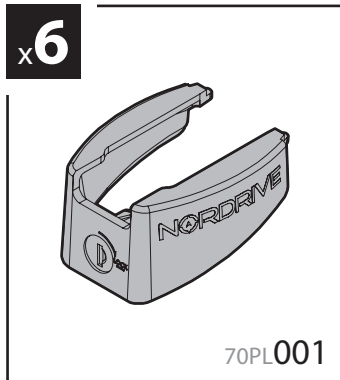
TRANSPORT SOLUTIONS

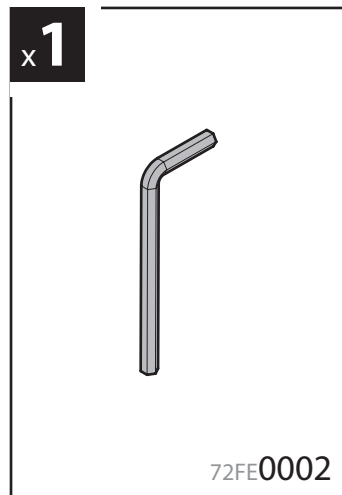
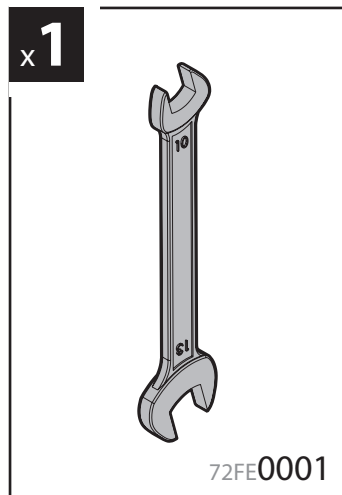
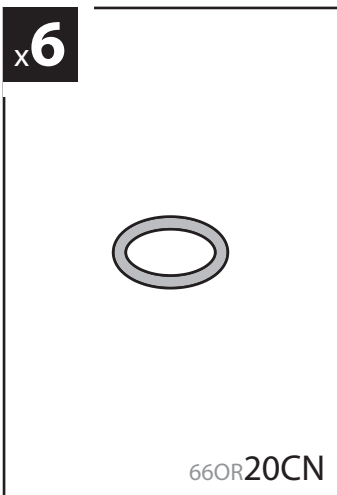
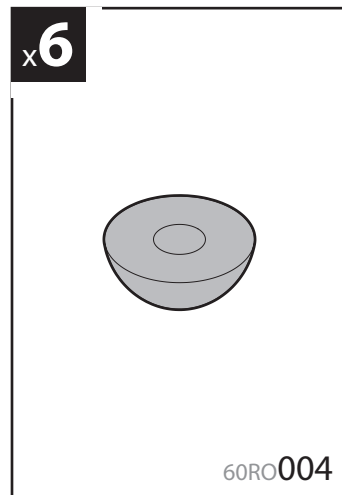
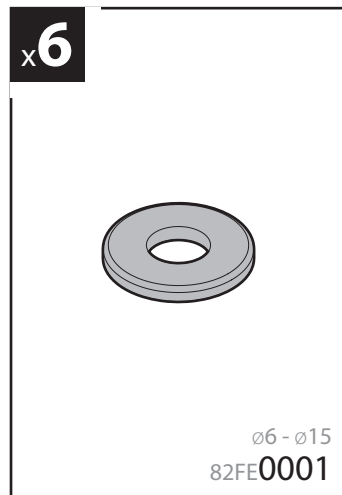
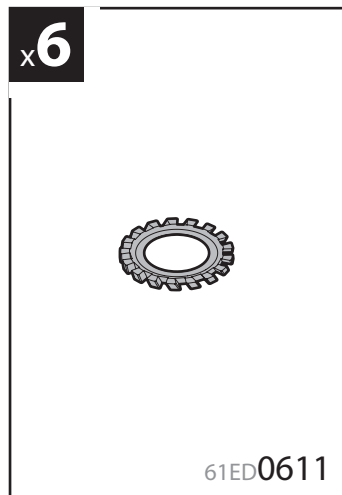
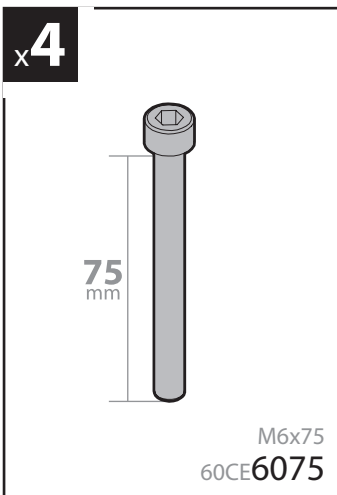
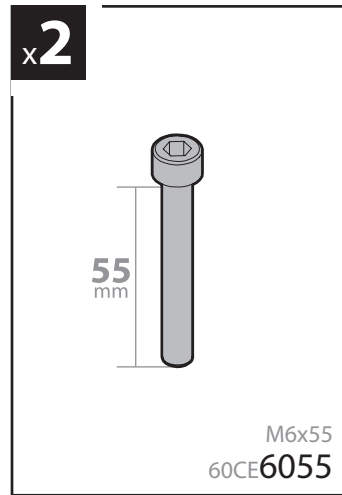
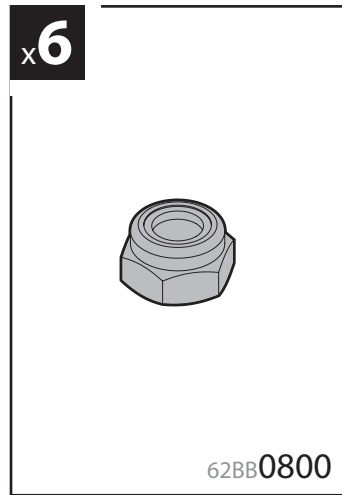
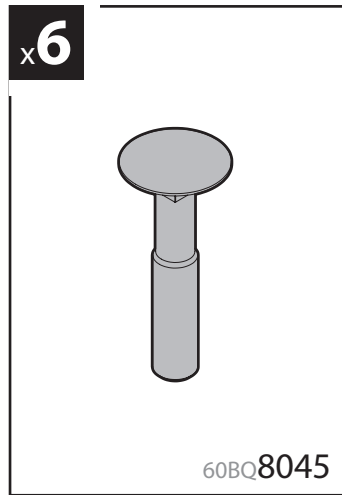
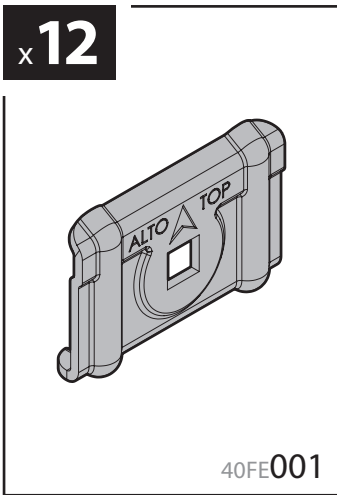


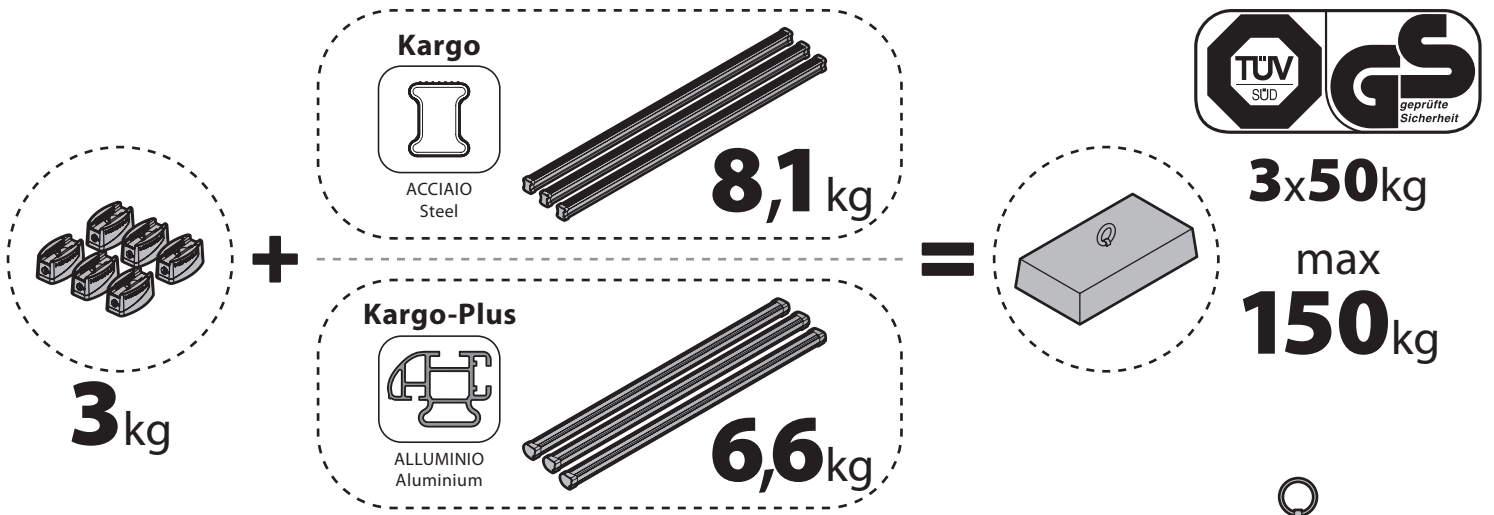
# NORDRIVE<sup>®</sup>

TRANSPORT SOLUTIONS

Art. **N30183**



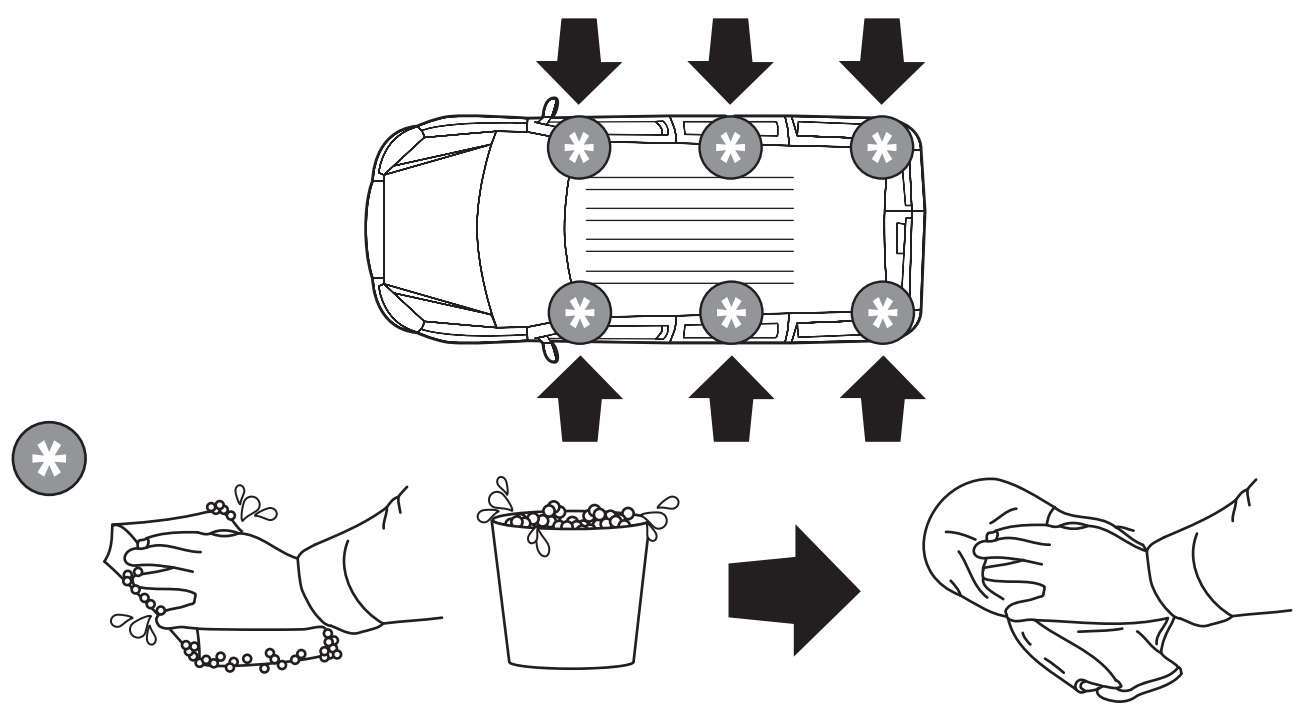




**SAFETY REGULATIONS**

Safety regulations

LE NORME DI SICUREZZA

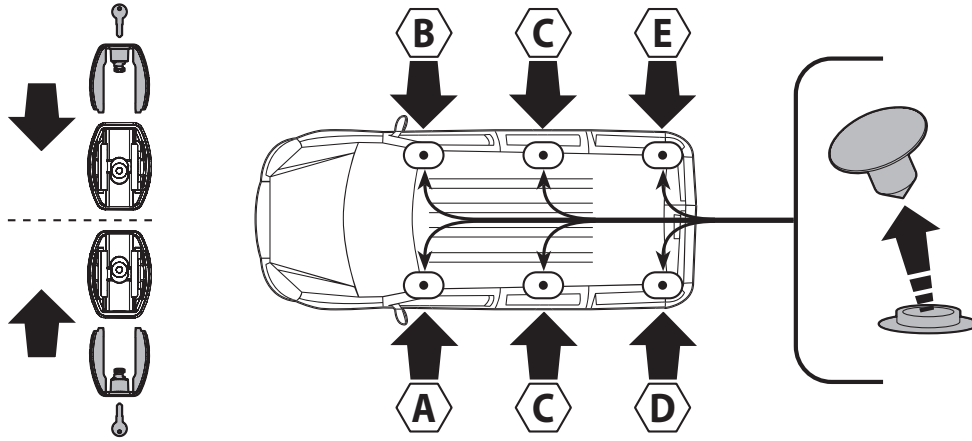


(I) ISTRUZIONI DI MONTAGGIO  
 (GB) FITTING INSTRUCTIONS  
 (D) MONTAGEANLEITUNG  
 (F) INSTRUCTIONS DE MONTAGE  
 (E) ISTRUCCIONES DE MONTAJE  
 (P) INSTRUÇÕES DE MONTAGEM  
 (NL) MONTAGE-INSTRUCTIES  
 (S) MONTERINGSANVISNING

(FIN) ASENNUSOHJE  
 (EST) PAIGALDUSJUHEND  
 (LAT) STIPRINĀŠANAS INSTRUKCIJA  
 (LT) PRITVIRTINIMO INSTRUKCIJOS  
 (PL) INSTRUKCJA MONTAŻU  
 (RUS) Инструкции по установке  
 (CZ) NÁVOD NA MONTÁŽ  
 (SK) NÁVOD NA MONTÁŽ

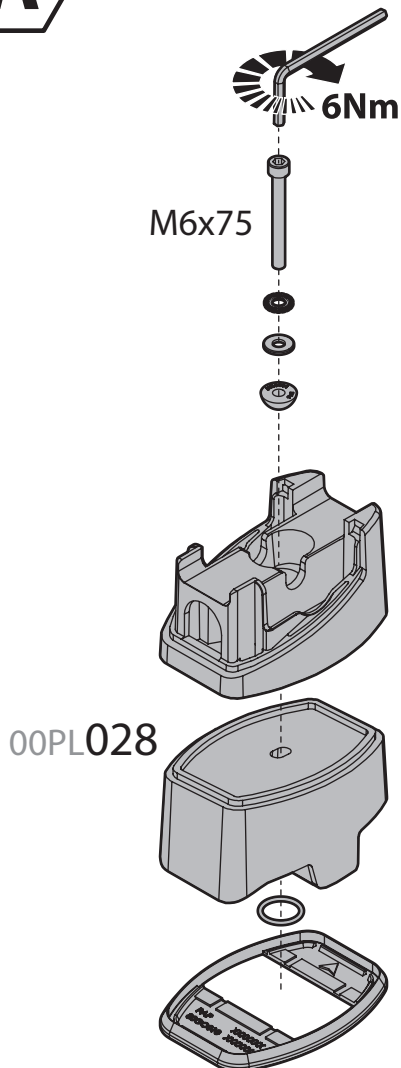
(SLO) NAVODILA ZA PRITRJEVANJE  
 (HR) UPUTA ZA SASTAVLJANJE  
 (H) A FELSZERELÉS MÓDJA  
 (GR) Οδηγίες συναρμολόγησης  
 (TR) MONTAJ TALIMATLARI  
 (BG) ИНСТРУКЦИИ ЗА МОНТАЖ  
 (SRB) UPUTSTVA ZA MONTAŽU

1



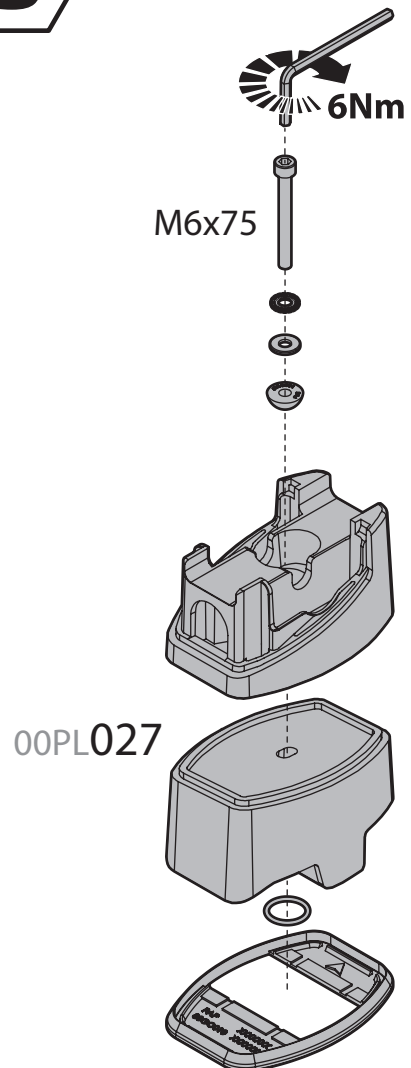
2

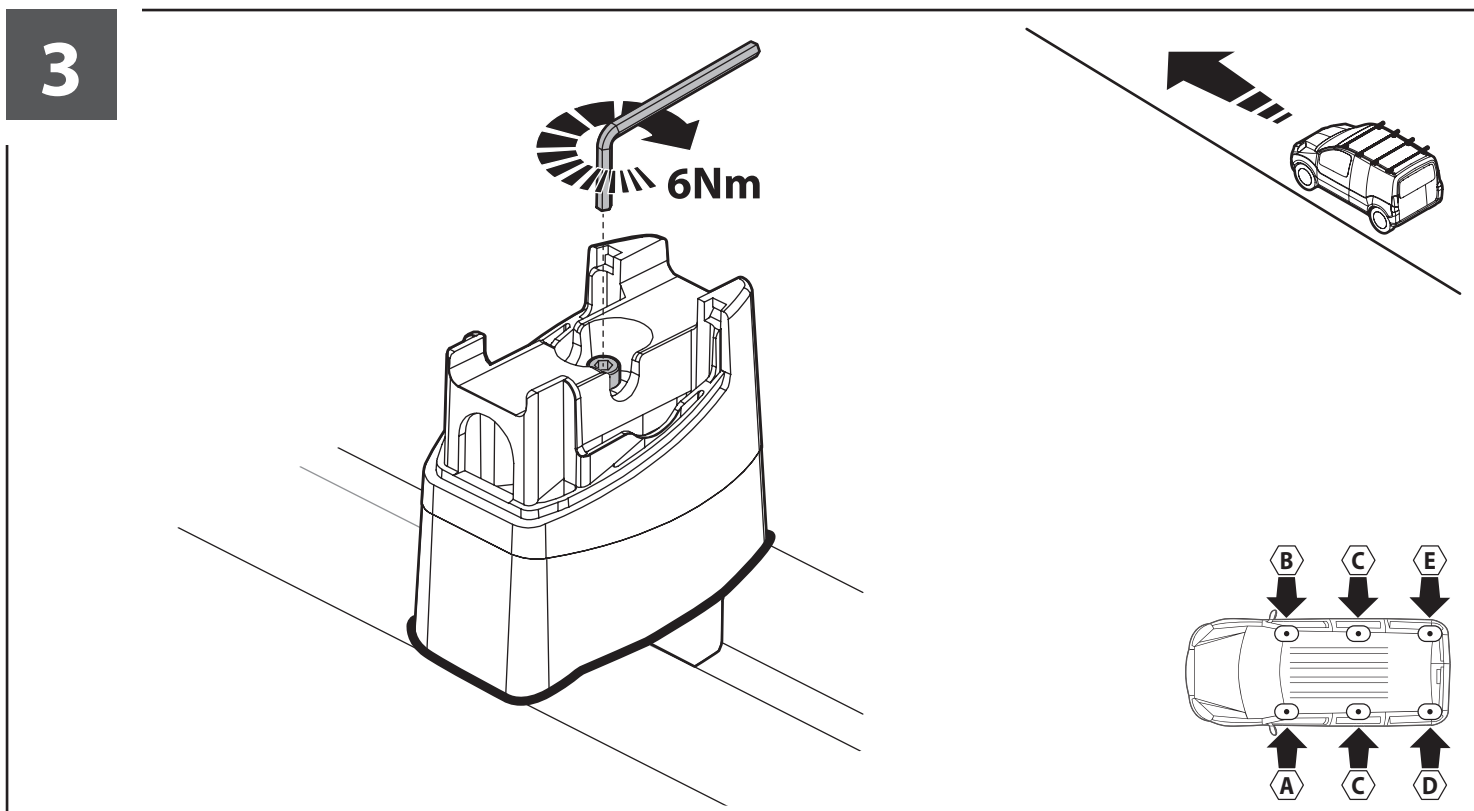
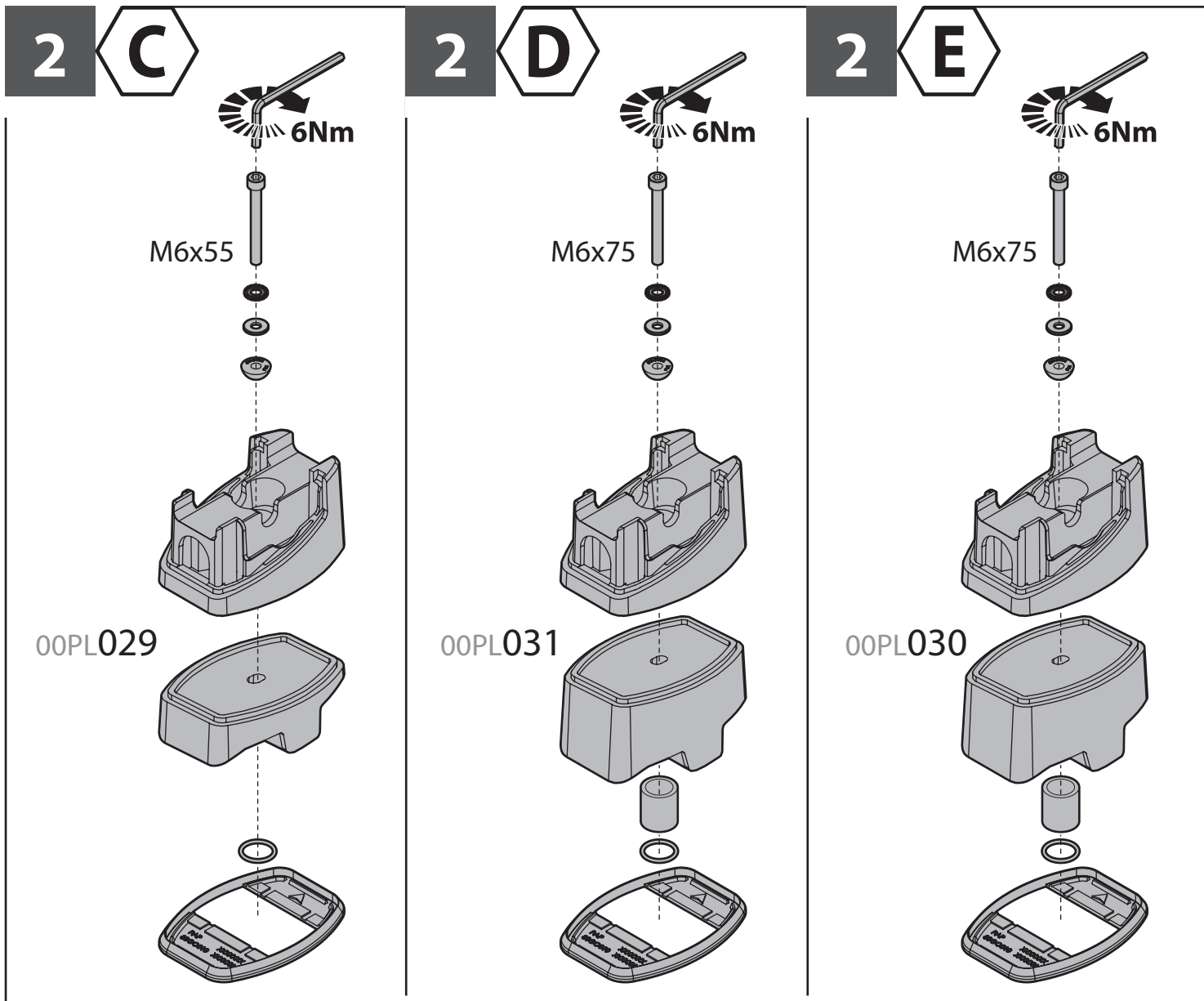
A



2

B







# ATTENZIONE WARNING



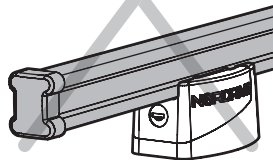
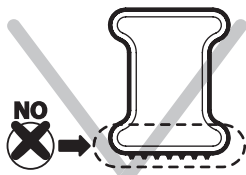
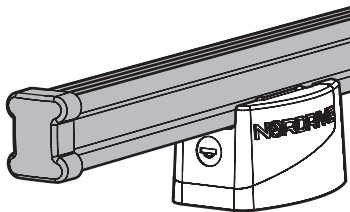
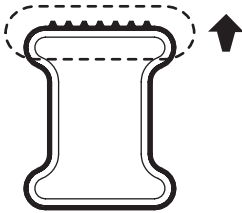
## Kargo

# A



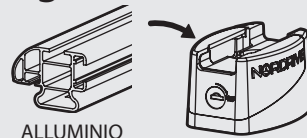
ACCIAIO  
Steel

MONTAGGIO DIRETTO  
SUI KIT PIEDI SPECIFICI  
DIRECTLY ON FOOT KITS  
BEFESTIGUNGSFÜSSE



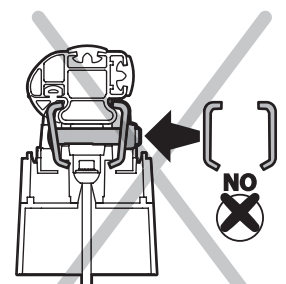
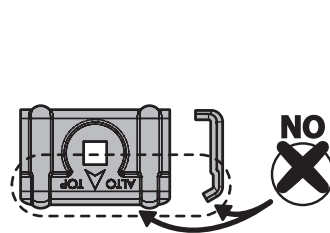
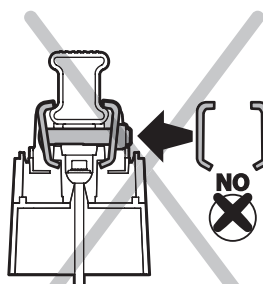
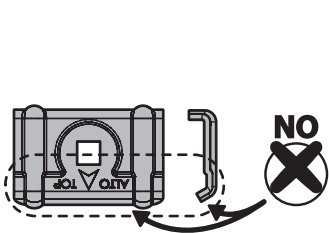
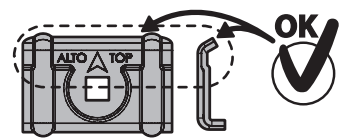
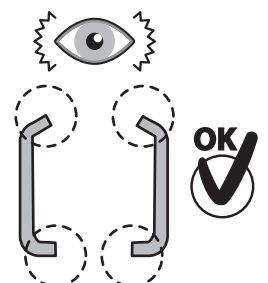
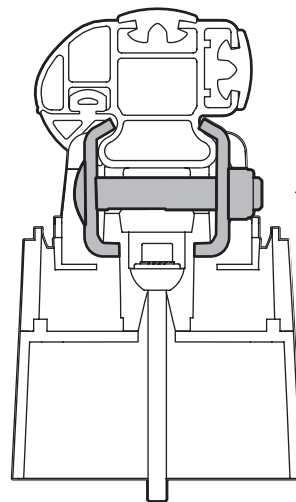
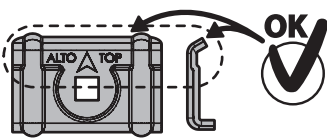
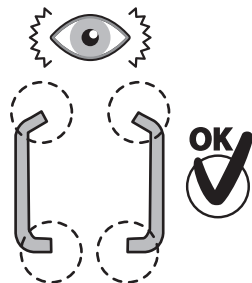
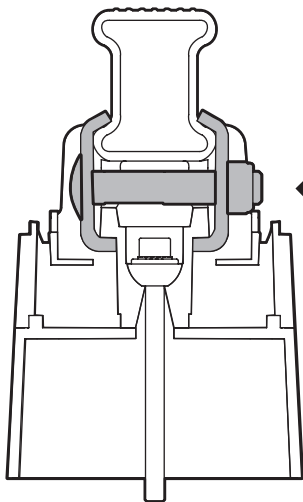
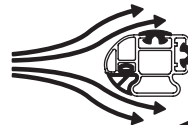
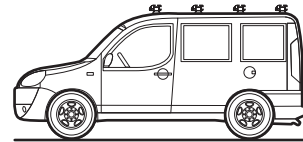
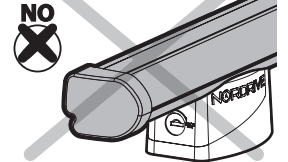
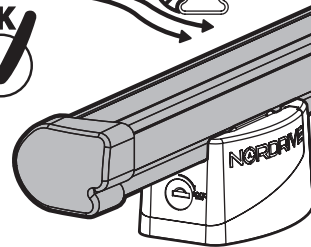
## Kargo-Plus

# B



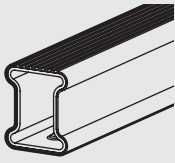
ALLUMINIO  
Aluminium

MONTAGGIO DIRETTO  
SUI KIT PIEDI SPECIFICI  
DIRECTLY ON FOOT KITS  
BEFESTIGUNGSFÜSSE



4

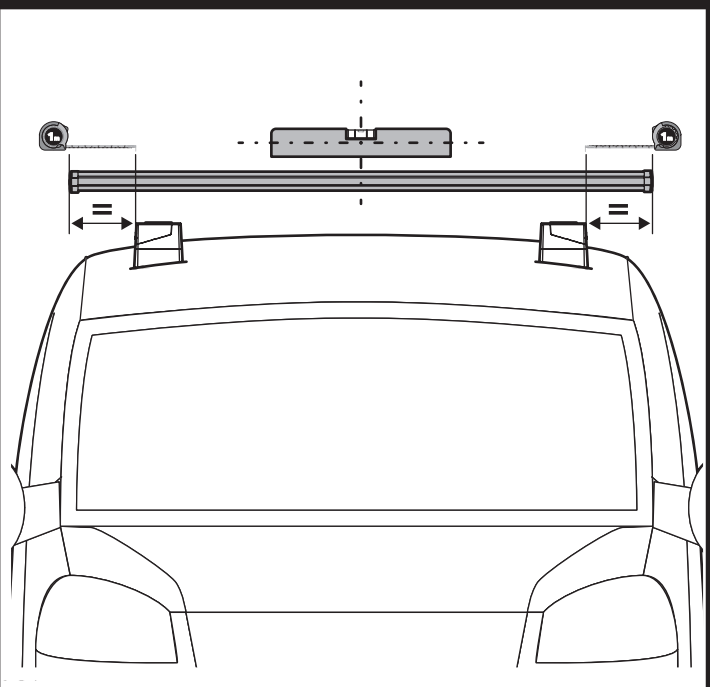
A



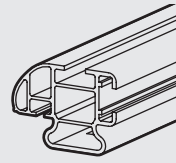
### Kargo



ACCIAIO  
Steel



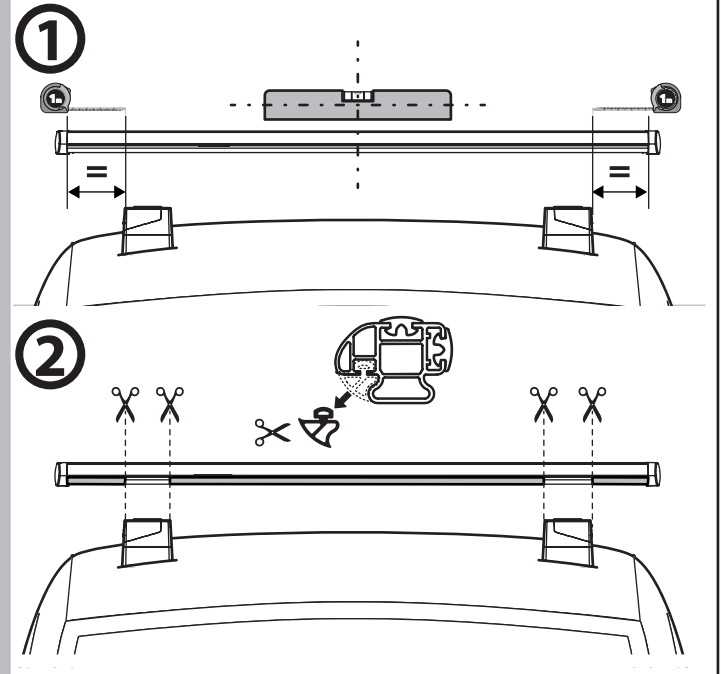
B



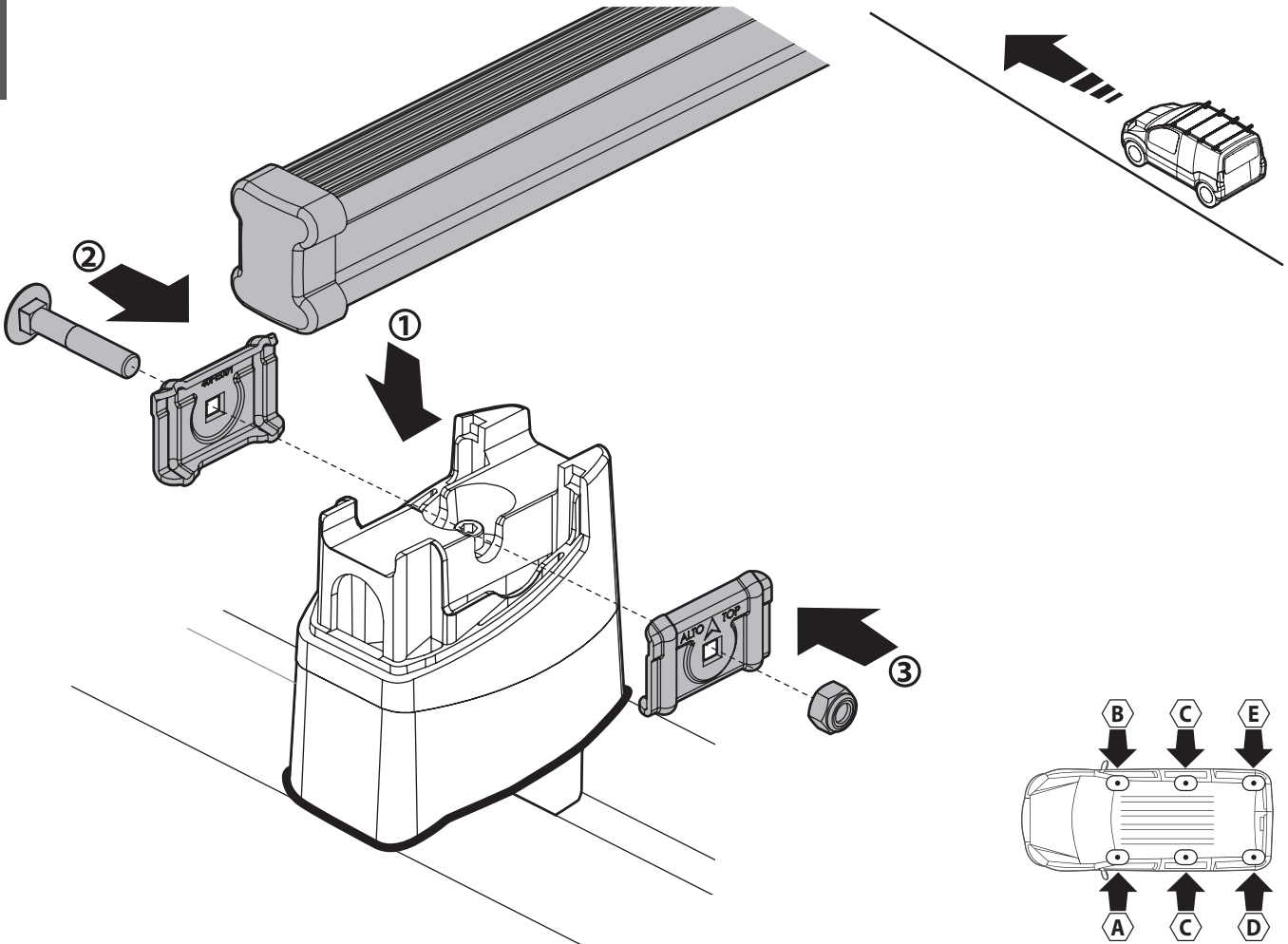
### Kargo-Plus



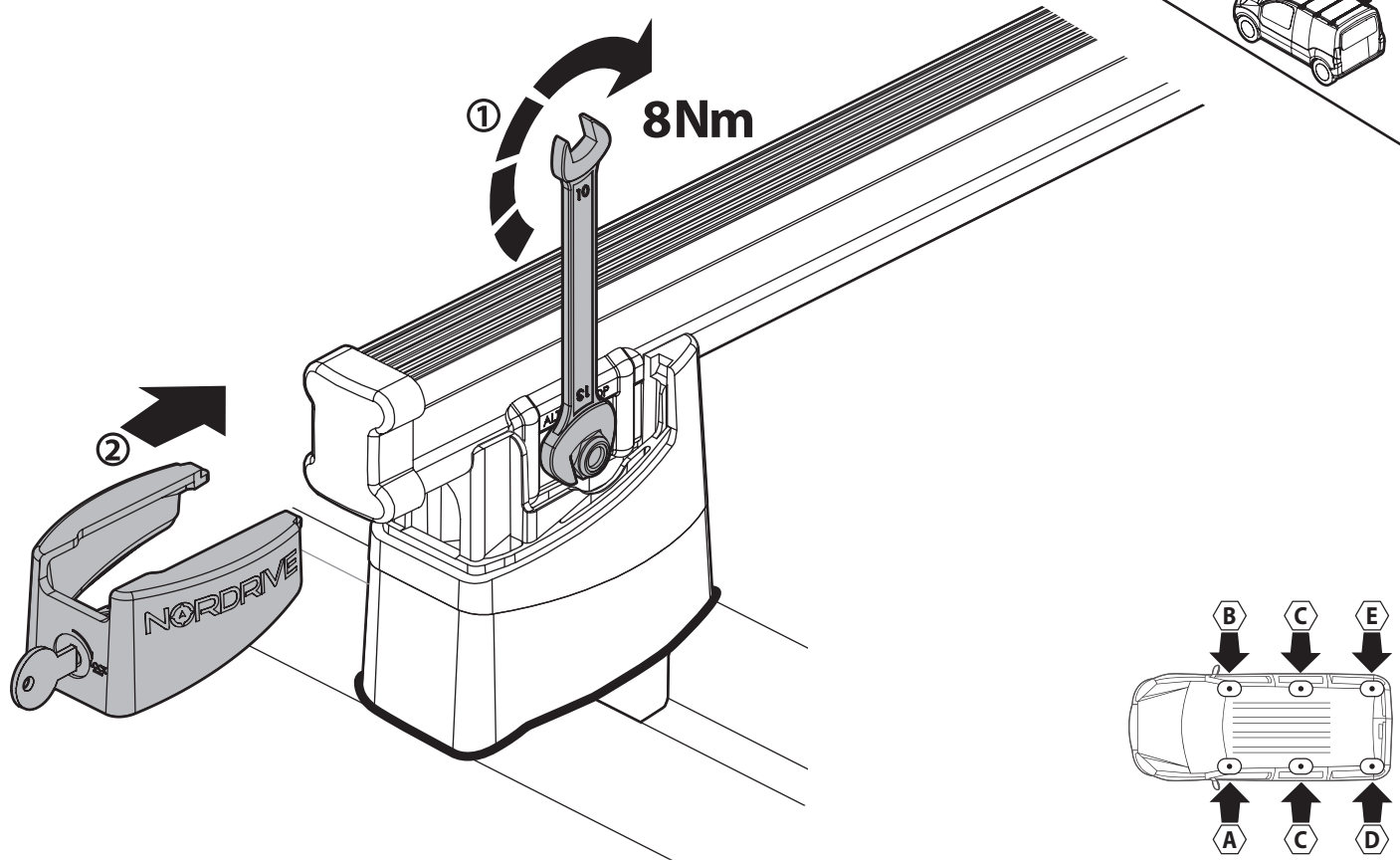
ALLUMINIO  
Aluminium



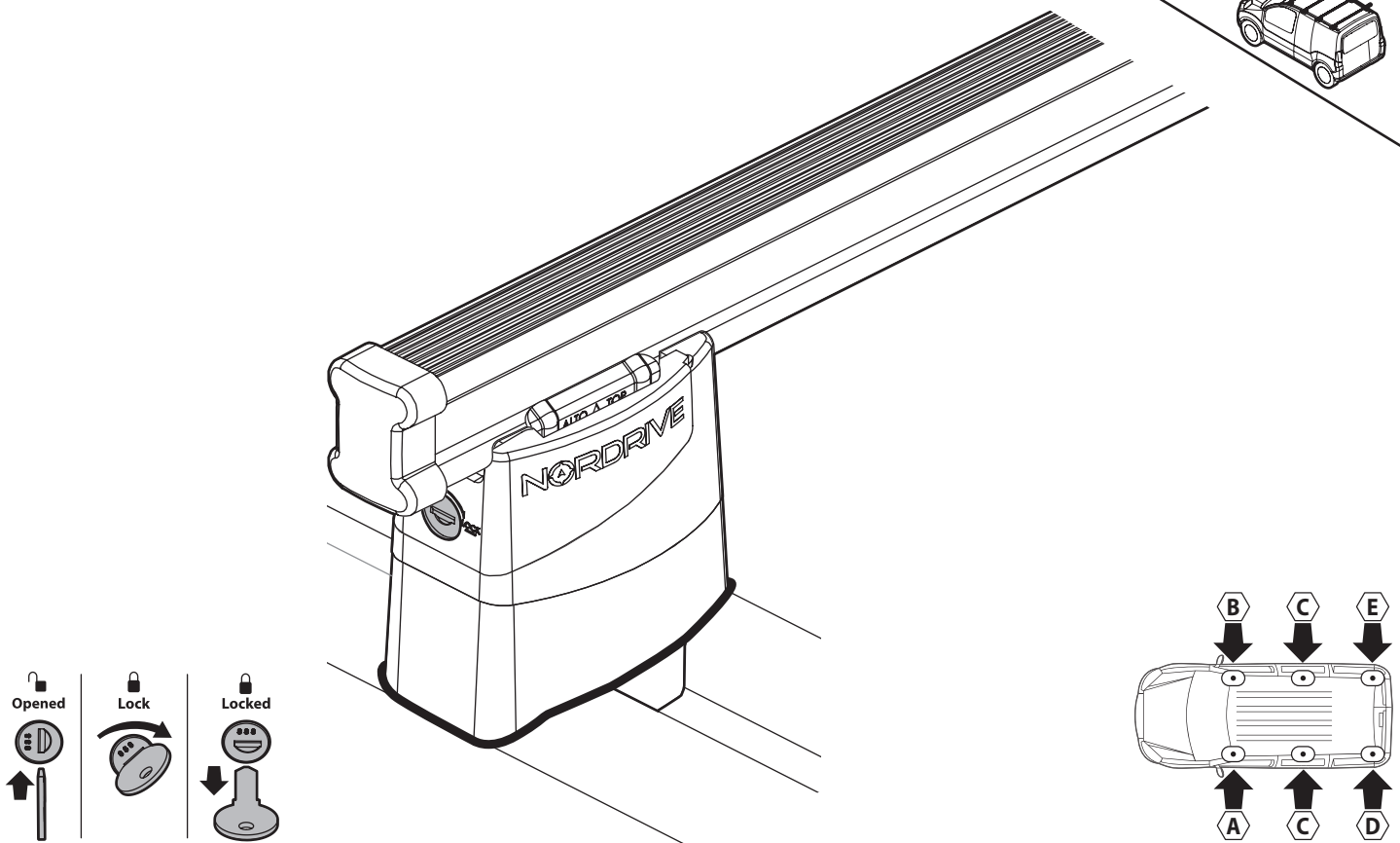
5



6



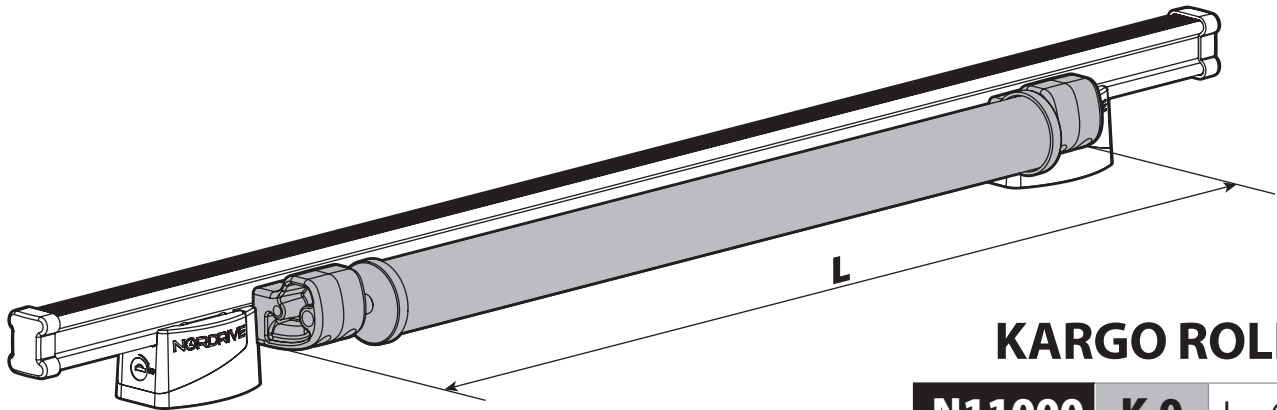
7



# Kargo series

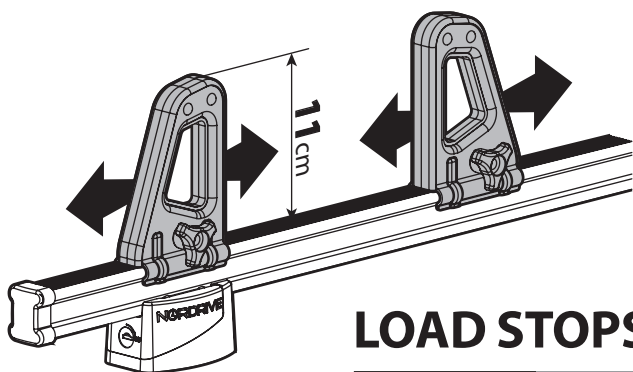


Acciaio / Steel



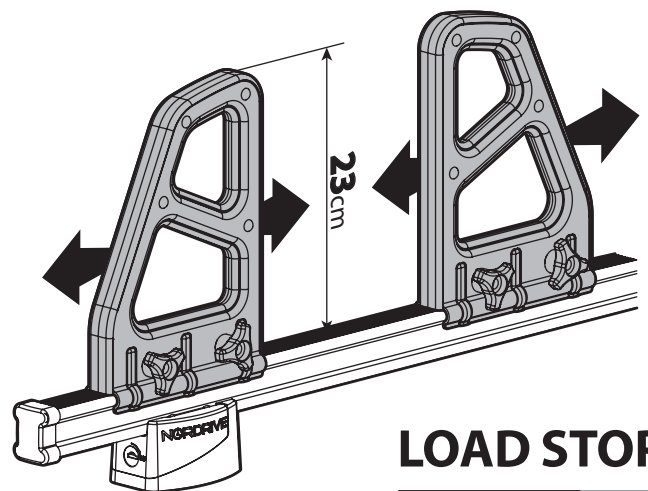
## KARGO ROLLER

<b>N11000</b>	<b>K-0</b>	L = 64 cm
<b>N11003</b>	<b>K-7</b>	L = 96 cm



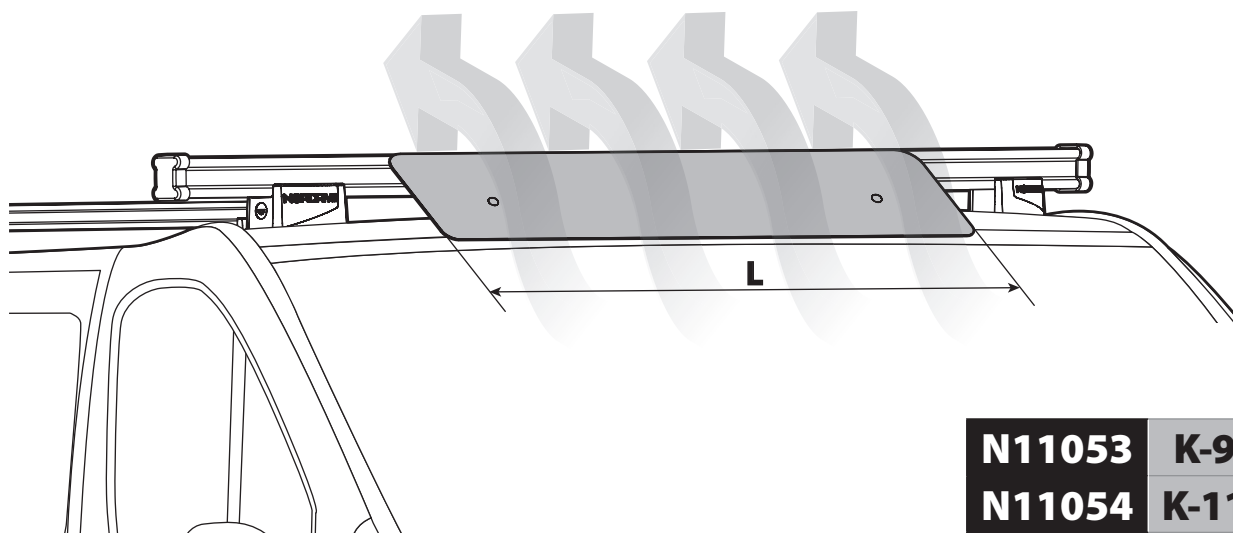
## LOAD STOPS

**N11001** K-1



## LOAD STOPS

**N11002** K-2



## SPOILER

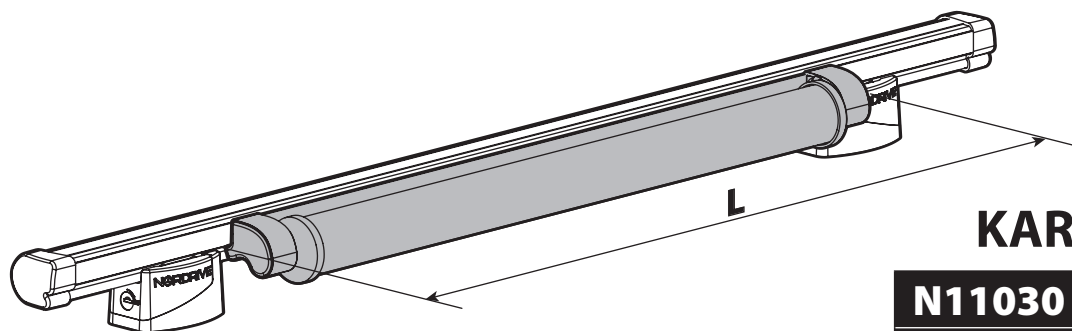
<b>N11053</b>	<b>K-9</b>	L = 95 cm
<b>N11054</b>	<b>K-11</b>	L = 110 cm

**OPTIONALS** PER / FOR / FÜR:

# Kargo-Plus series



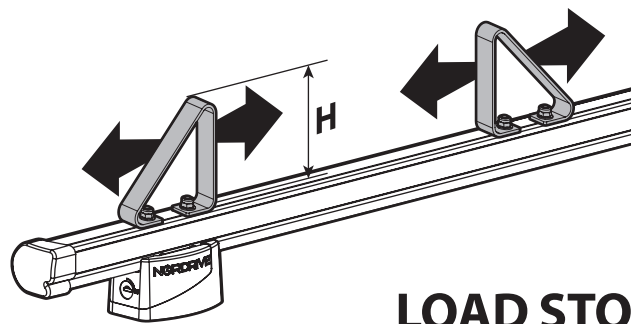
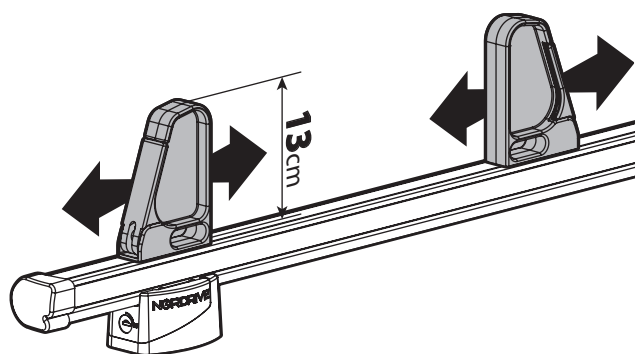
Alluminio / Aluminium



## KARGO ROLLER

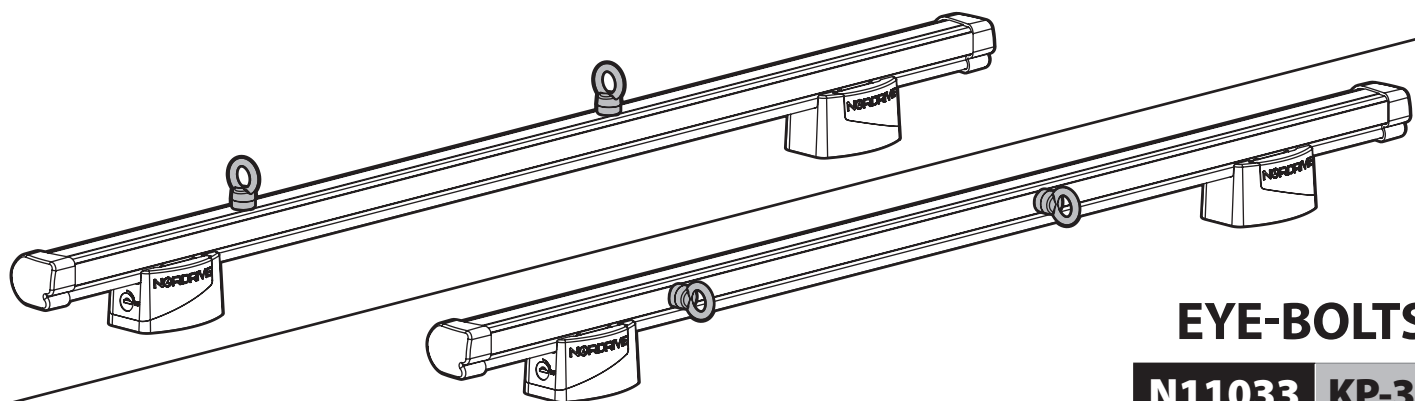
**N11030** KP-0 L = 64 cm

**N11034** KP-7 L = 96 cm



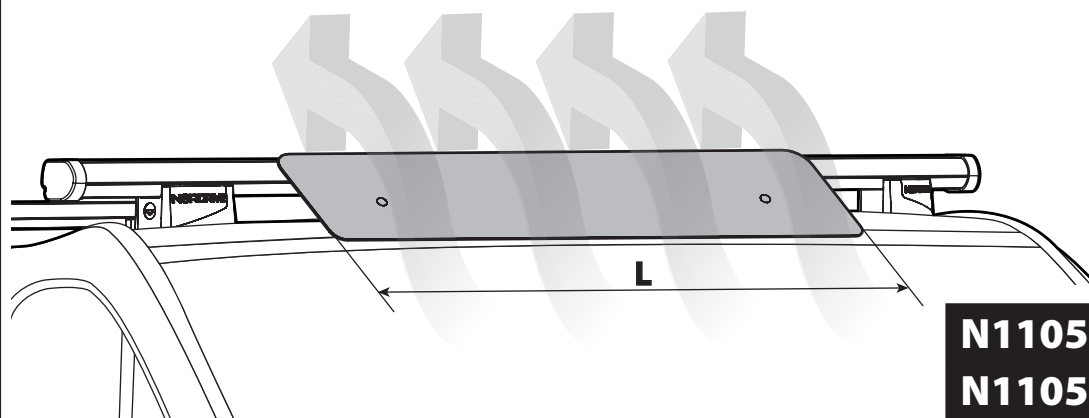
## LOAD STOPS

**N11031** KP-1



## EYE-BOLTS

**N11033** KP-3



## SPOILER

**N11057** KP-9 L = 95 cm

**N11058** KP-11 L = 110 cm

**OPTIONALS** PER / FOR / FÜR:

**Kargo** series



Acciaio / Steel

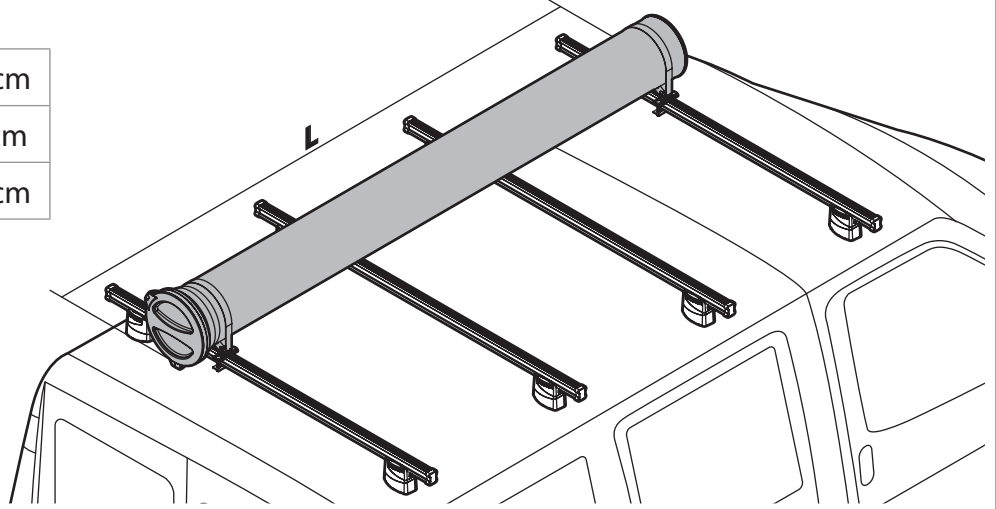
**Kargo-Plus**  
series



Alluminio / Aluminium

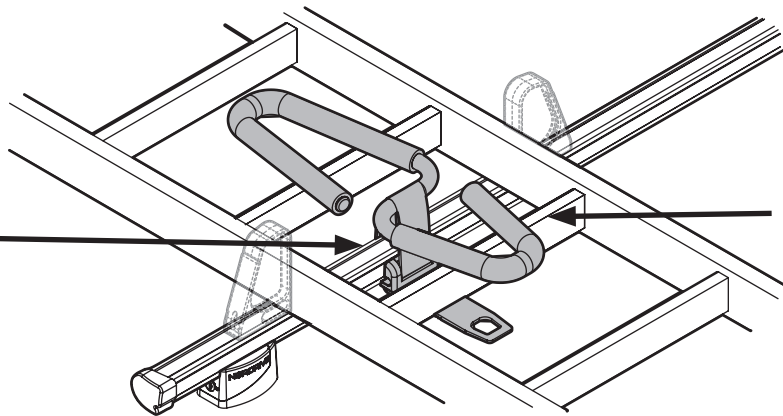
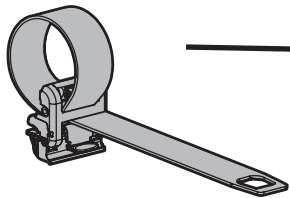
**KARGO-TUBE**

<b>N11050</b>	<b>T200</b>	L = 205 cm
<b>N11051</b>	<b>T300</b>	L = 305 cm
<b>N11052</b>	<b>T400</b>	L = 405 cm



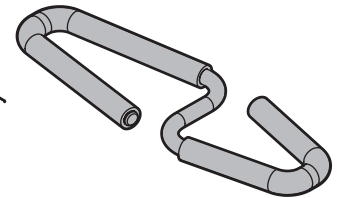
**LADDER HOLDER STRAPS**

**N11065** U-5



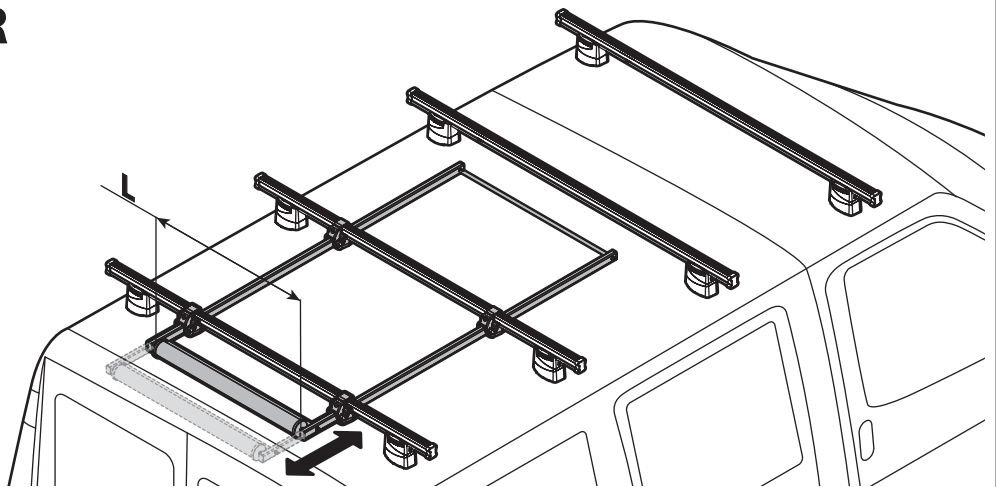
**LADDER STEP ADAPTER**

**N11067** U-6



**EXTENSION ROLLER**

<b>N11020</b>	<b>U-0</b>	L = 64 cm
<b>N11021</b>	<b>U-7</b>	L = 96 cm



- (I) Lotto di produzione da comunicare per eventuali ricambi
- (GB) Production lot number to be communicated for any spare parts
- (F) Lot de production à communiquer pour toute pièce de rechange
- (D) Produktionscharge für eventuelle Ersatzteile
- (E) Lote de producción a comunicar por cualquier repuesto

**Lot.**

**NORDRIVE®**  
TRANSPORT SOLUTIONS

**NORDRIVE® is a registered trademark of**

**LAMPA S.p.A.**

Via G. Rossa 53/55, 46019 Viadana (MN) ITALY

Tel. +39 0375 820700

UNI EN ISO 9001 / ISO 14001 / ISO 45001

Certified Company

service@lampa.it

www.nordrive.it www.lampa.it