

Art. **N30372**

VOLKSWAGEN TRANSPORTER T5

2000 04/03 → 03/15

VOLKSWAGEN TRANSPORTER T6

2000 04/15 →

(no guida femmina - no female guide - nicht T-Profil)

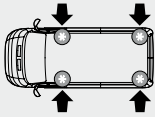


H = 1990mm
L = 3000mm



H = 2176mm
L = 3000mm

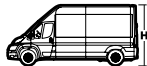
2 = Art. **N30372** x **1**
bars



H = 1990mm
L = 3400mm

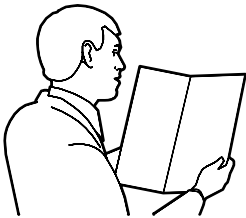
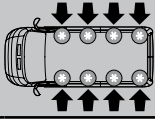


H = 2176mm
L = 3400mm



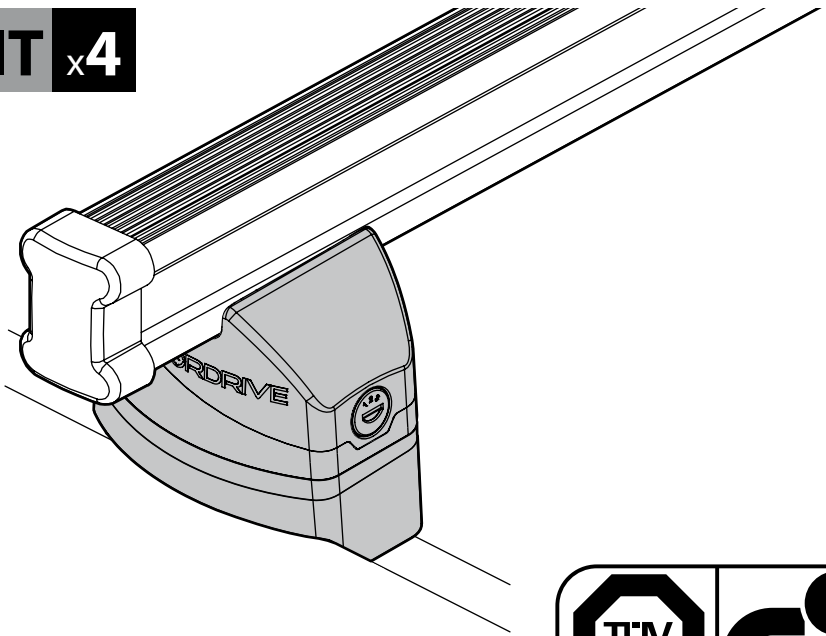
H = 2476mm
L = 3400mm

4 = Art. **N30372** x **2**
bars



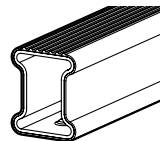
- ⓘ ISTRUZIONI DI MONTAGGIO
- Ⓖᐁ FITTING INSTRUCTIONS
- ⓓ MONTAGEANLEITUNG
- ⓕ INSTRUCTIONS DE MONTAGE
- ⓔ ISTRUCCIONES DE MONTAJE
- Ⓟ INSTRUÇÕES DE MONTAGEM
- Ⓝᐁ MONTAGE-INSTRUCTIES
- Ⓢ MONTERINGSANVISNING
- ⓕᐁ ASENUSOHJE
- ⓔᐁ PAIGALDUSJUHEND
- ⓐᐁ STIPRINĀŠANAS INSTRUKCIJA
- ⓐᐁ PRITVIRTINIMO INSTRUKCIJOS
- Ⓟᐁ INSTRUKCJA MONTAŻU
- ⓕᐁ Инструкции по установке
- ⓐᐁ NÁVOD NA MONTÁŽ
- ⓐᐁ NÁVOD NA MONTÁŽ
- ⓐᐁ NAVODILA ZA PRITRJEVANJE
- ⓕᐁ UPUTA ZA SASTAVLJANJE
- ⓕᐁ A FELSZERELÉS MÓDJA
- ⓕᐁ Οδηγίες συναρμολόγησης
- ⓐᐁ MONTAJ TALIMATLARL
- ⓕᐁ ИНСТРУКЦИИ ЗА МОНТАЖ
- ⓕᐁ UPUTSTVA ZA MONTAŽU

KIT x4



- ⓘ ADATTO PER
- Ⓖᐁ SUITABLE FOR
- ⓕ INDIQUÉ POUR
- ⓓ GEEIGNET FÜR
- ⓔ ADECUADA PARA

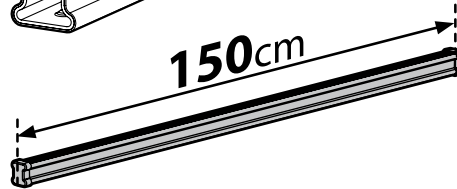
NORDRIVE
KARGO SERIES



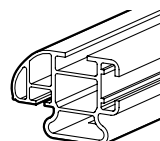
Kargo
ACCIAIO
Steel

- ⓘ BARRE KARGO
- Ⓖᐁ KARGO BARS
- ⓕ BARRES KARGO
- ⓓ DACH-LASTENTRÄGER KARGO
- ⓔ BARRES KARGO

150cm



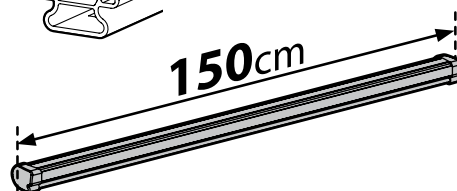
Art. **N10010** x**2**



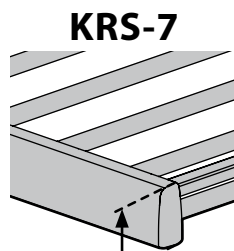
Kargo-Plus
ALLUMINIO
Aluminium

- ⓘ BARRE KARGO-PLUS
- Ⓖᐁ KARGO-PLUS BARS
- ⓕ BARRES KARGO-PLUS
- ⓓ DACH-LASTENTRÄGER KARGO-PLUS
- ⓔ BARRES KARGO-PLUS

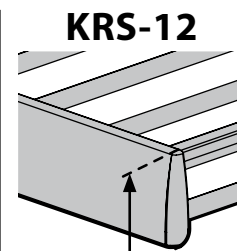
150cm



Art. **N10040** x**2**



7cm

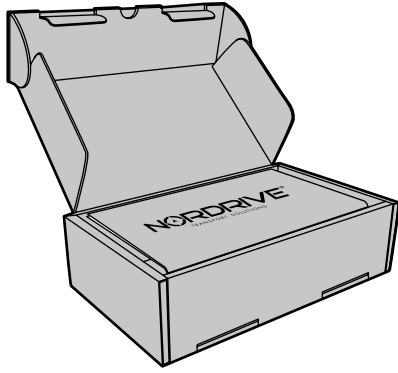


12cm

- ⓘ CESTE PORTATUTTO KRS-7 / KRS-12
- Ⓖᐁ KRS-7 / KRS-12 VAN ROOF RACKS
- ⓕ GALERIE KRS-7 / KRS-12
- ⓓ DACHKÖRBEIN KRS-7 / KRS-12
- ⓔ BACAS KRS-7 / KRS-12

NORDRIVE[®]

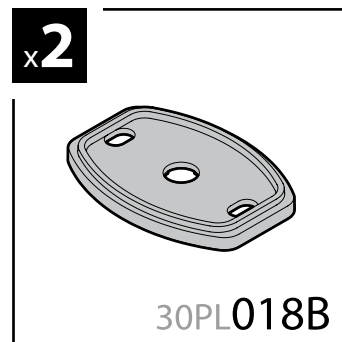
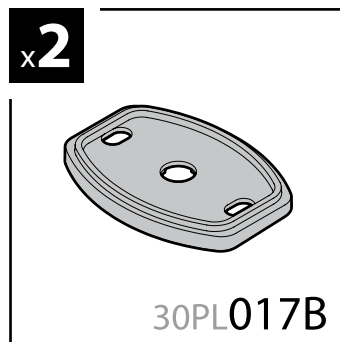
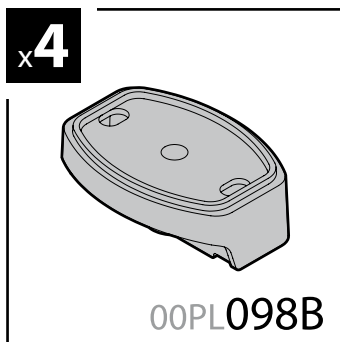
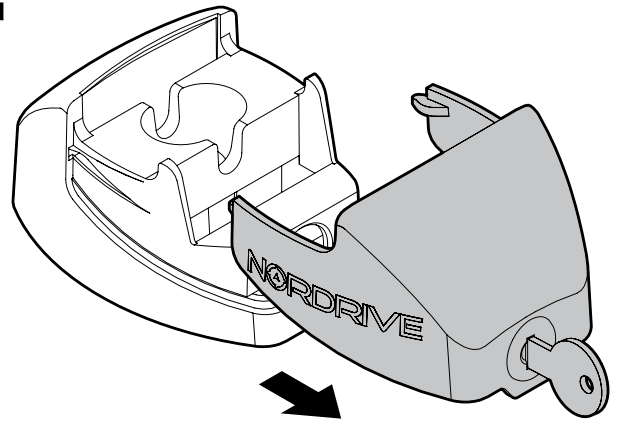
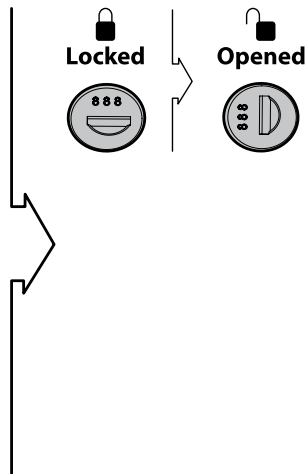
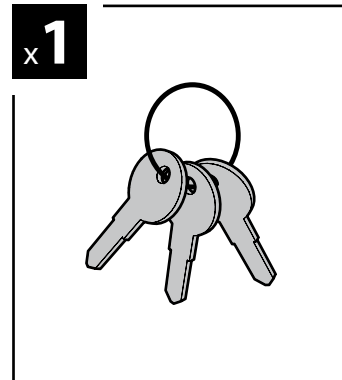
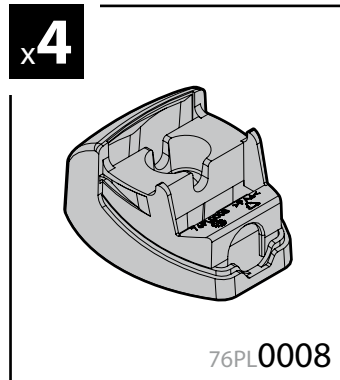
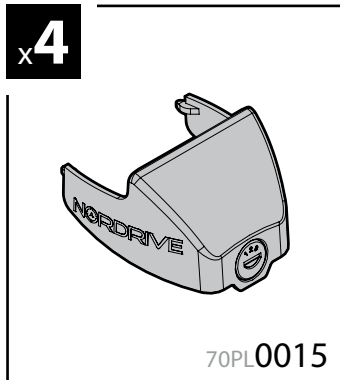
TRANSPORT SOLUTIONS



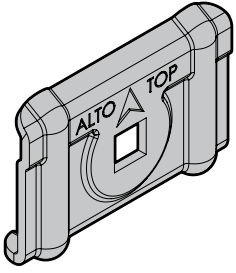
NORDDRIVE[®]

TRANSPORT SOLUTIONS

Art. **N30372**

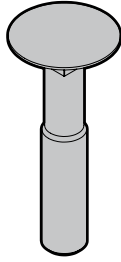


x8



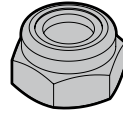
40FE001

x4



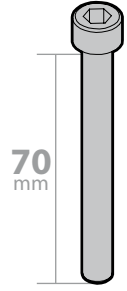
60BQ8045

x4



62BB0800

x4



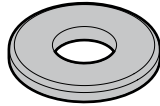
M6x70
60CE6070

x4



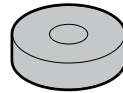
61ED0611

x4



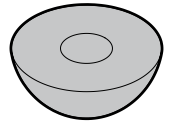
ø6 - ø15
82FE0001

x4



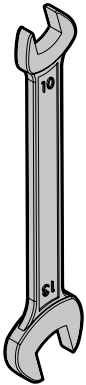
80GO027B

x4



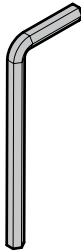
60RO004

x1



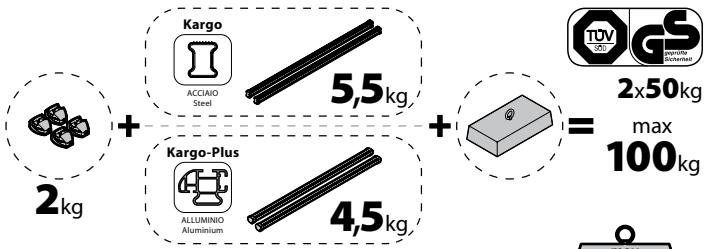
72FE0001

x1



72FE0002

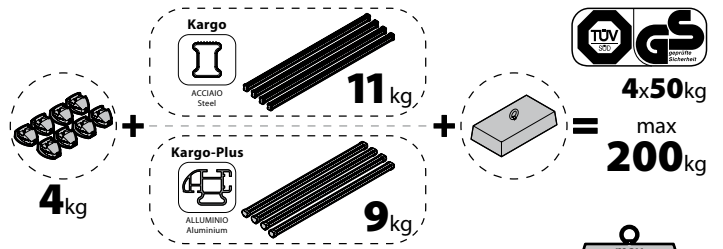
2 = Art. N30372 x 1
bars



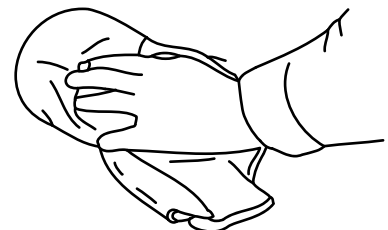
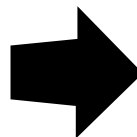
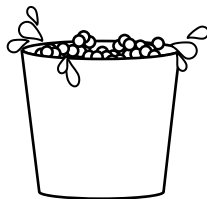
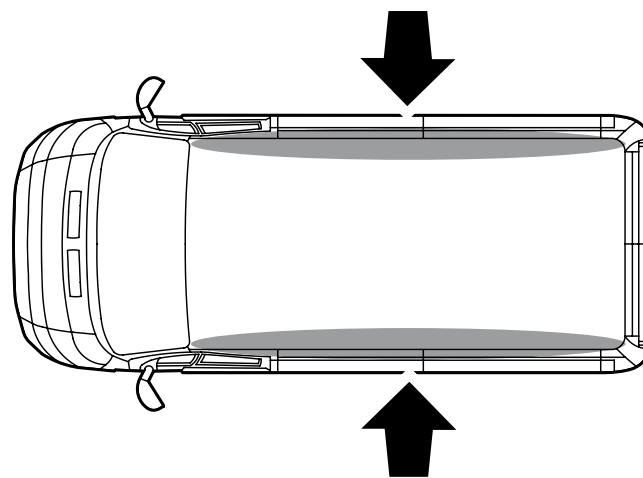
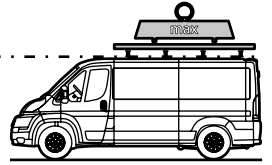
! max ???kg



4 = Art. N30372 x 2
bars



! max ???kg



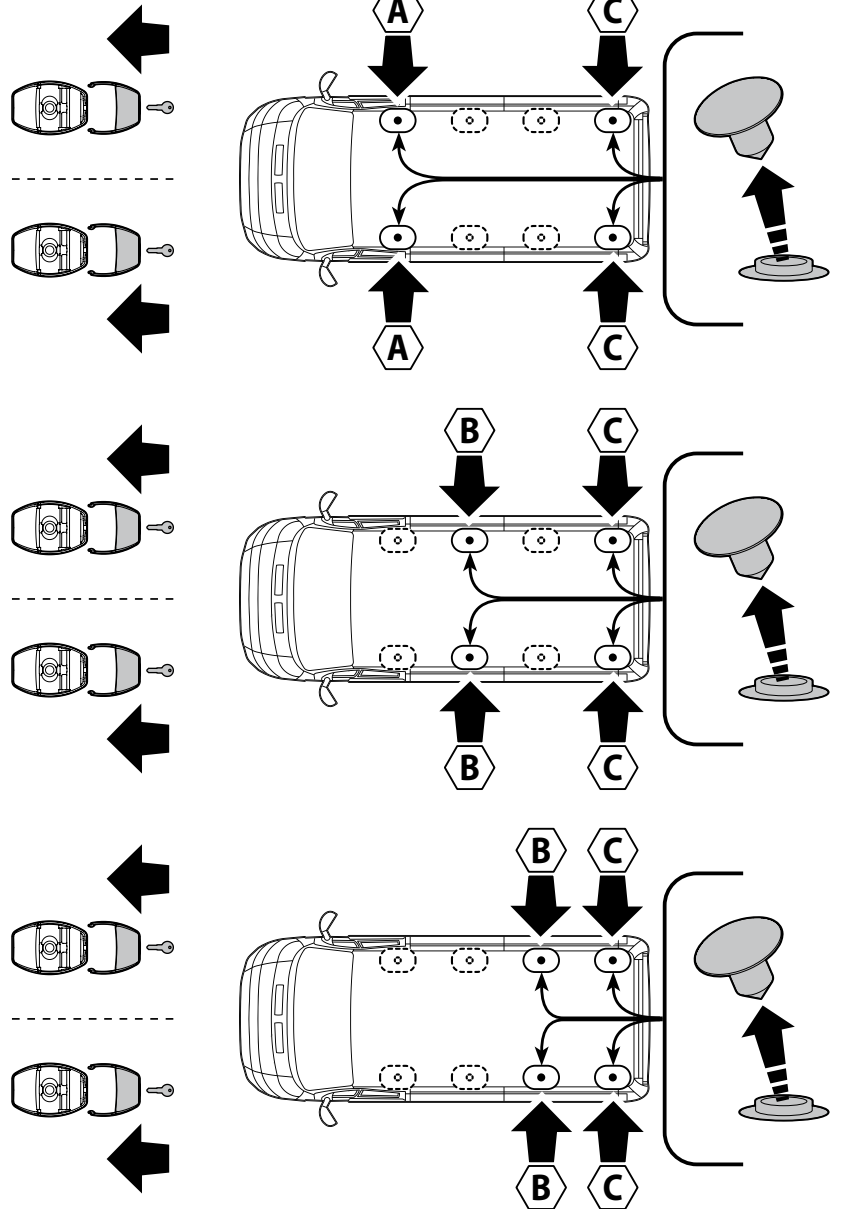
(I) ISTRUZIONI DI MONTAGGIO
 (GB) FITTING INSTRUCTIONS
 (D) MONTAGEANLEITUNG
 (F) INSTRUCTIONS DE MONTAGE
 (E) INSTRUCCIONES DE MONTAJE
 (P) INSTRUÇÕES DE MONTAGEM
 (NL) MONTAGE-INSTRUCTIES
 (S) MONTERINGSANVISNING

(FIN) ASENNUSOHJE
 (EST) PAIGALDUSJUHEND
 (LAT) STIPRINĀŠANAS INSTRUKCIJA
 (LT) PRITVIRTINIMO INSTRUKCIJOS
 (PL) INSTRUKCJA MONTAŻU
 (RUS) Инструкции по установке
 (CZ) NÁVOD NA MONTÁŽ
 (SK) NÁVOD NA MONTÁŽ

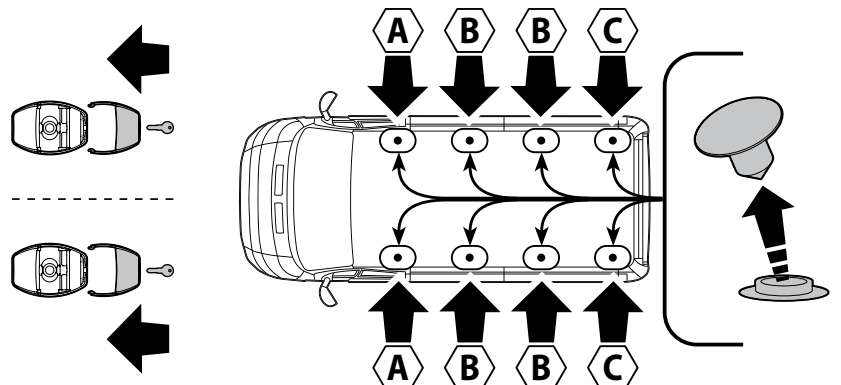
(SLO) NAVODILA ZA PRITRJEVANJE
 (HR) UPUTA ZA SASTAVLJANJE
 (H) A FELSZERELÉS MÓDJA
 (GR) Οδηγίες συναρμολόγησης
 (TR) MONTAJ TALIMATLARI
 (BG) ИНСТРУКЦИИ ЗА МОНТАЖ
 (SRB) UPUTSTVA ZA MONTAŽU

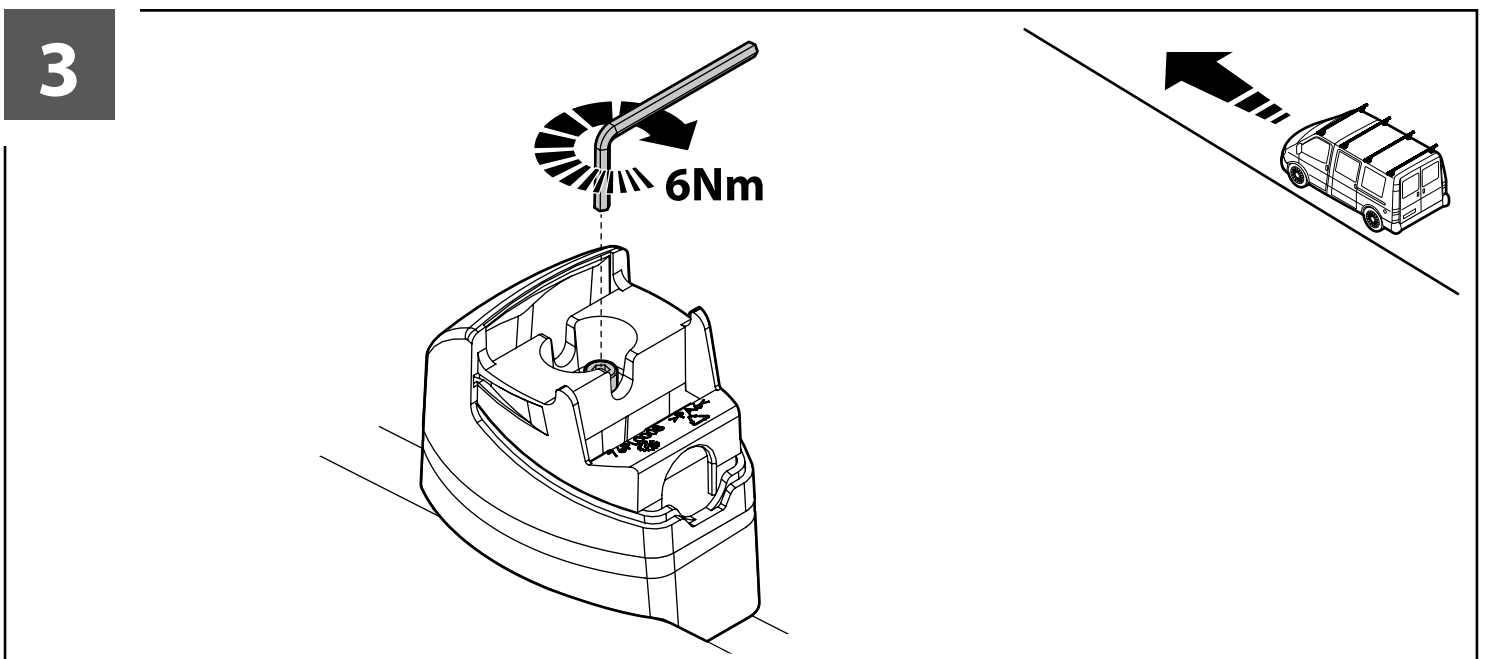
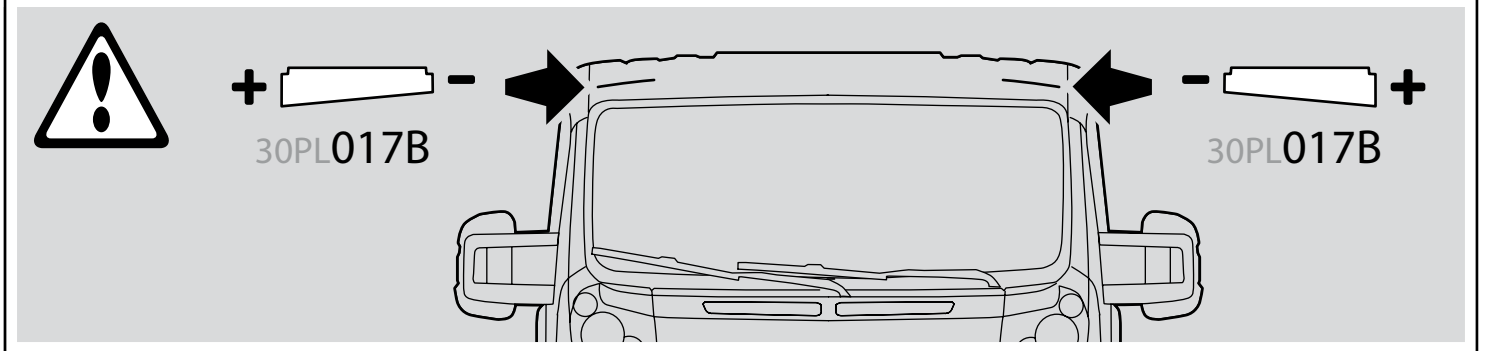
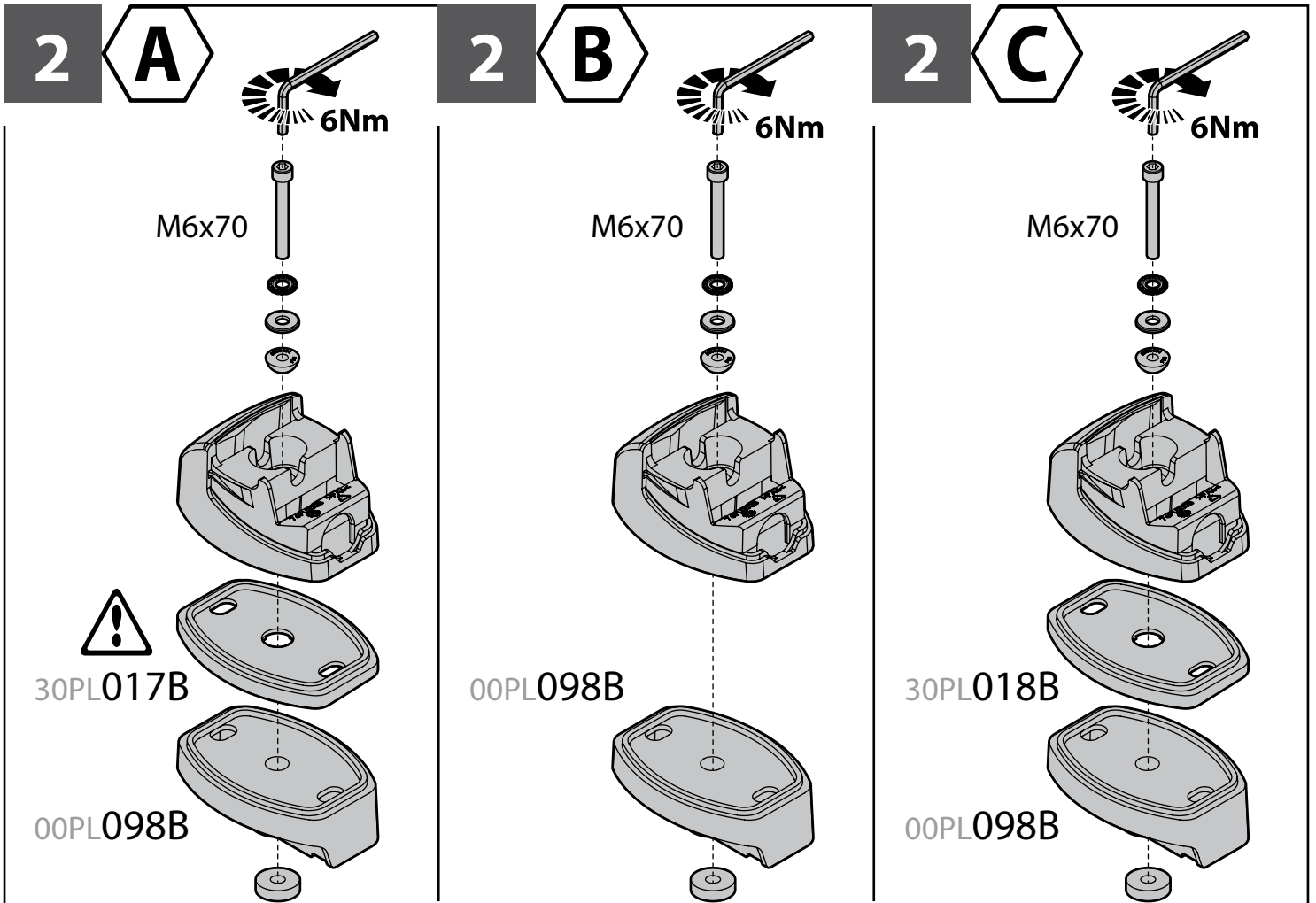
1

2 = Art. N30372 x 1
bars



4 = Art. N30372 x 2
bars





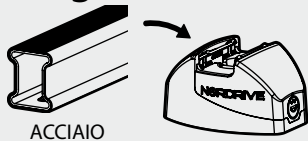


ATTENZIONE WARNING



Kargo

A

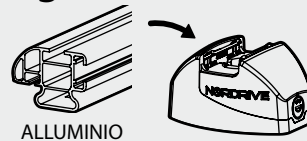


ACCIAIO
Steel

MONTAGGIO DIRETTO
SUI KIT PIEDI SPECIFICI
DIRECTLY ON FOOT KITS
BEFESTIGUNGSFÜSSE

Kargo-Plus

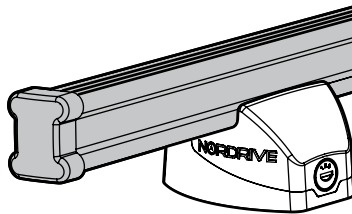
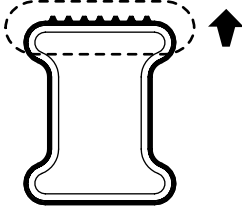
B



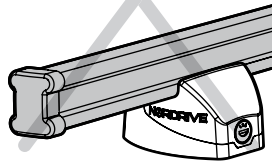
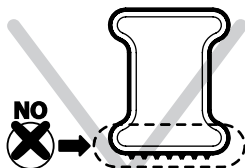
ALLUMINIO
Aluminium

MONTAGGIO DIRETTO
SUI KIT PIEDI SPECIFICI
DIRECTLY ON FOOT KITS
BEFESTIGUNGSFÜSSE

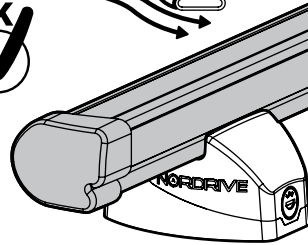
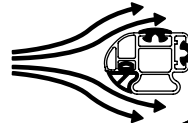
OK ✓



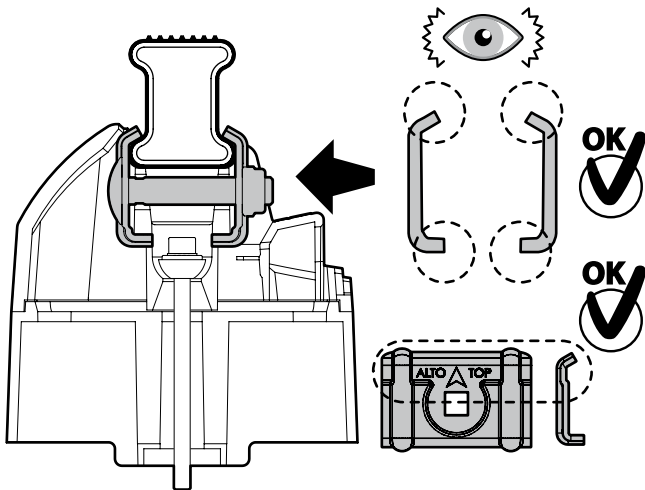
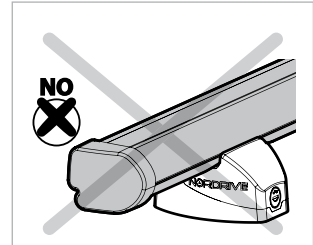
NO ✗



OK ✓

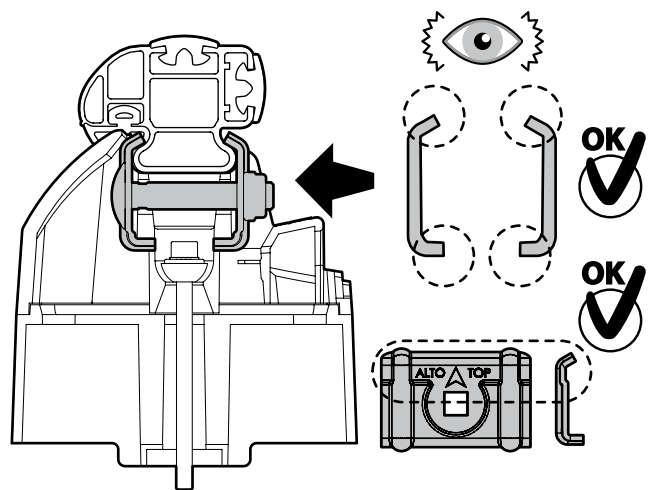


NO ✗



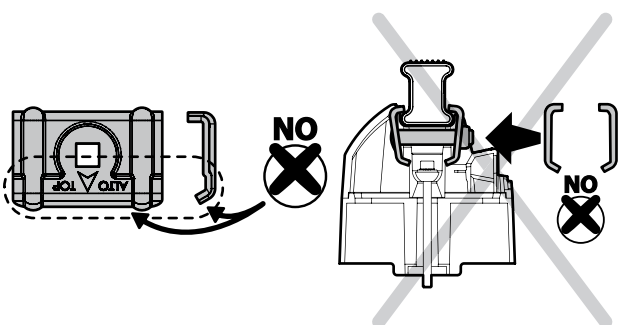
OK ✓

OK ✓



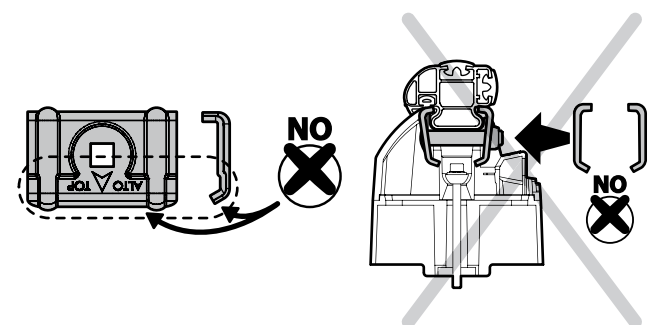
OK ✓

OK ✓



NO ✗

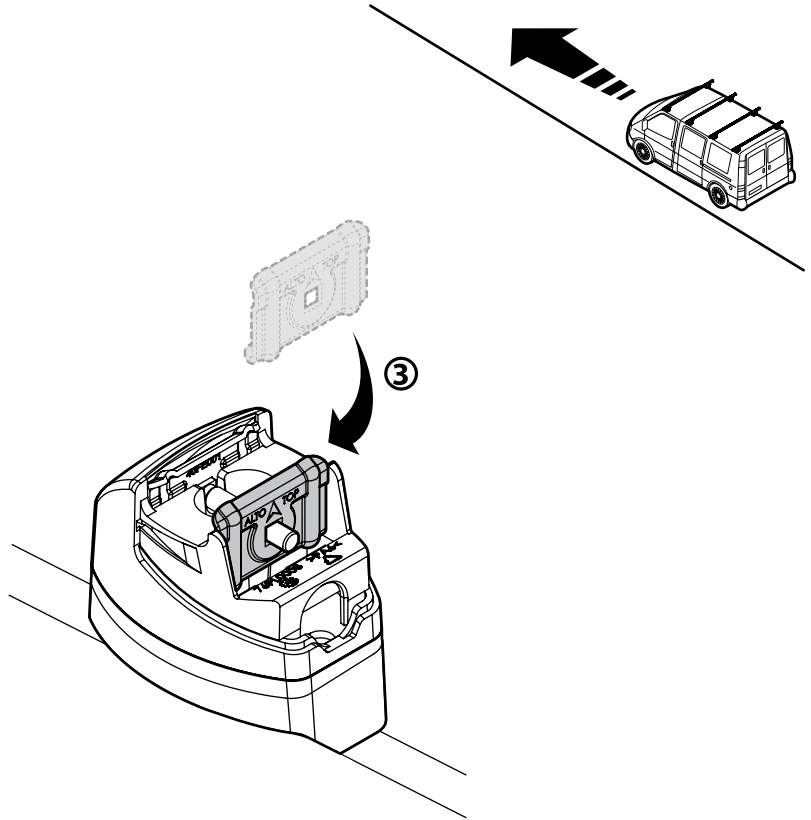
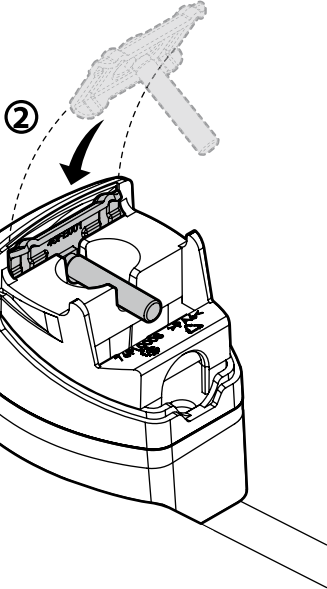
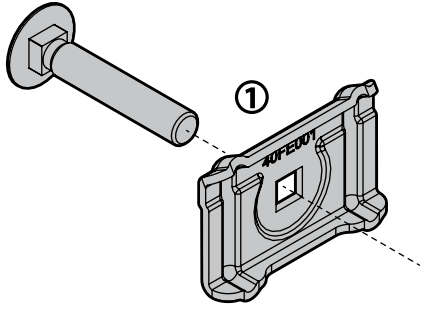
NO ✗



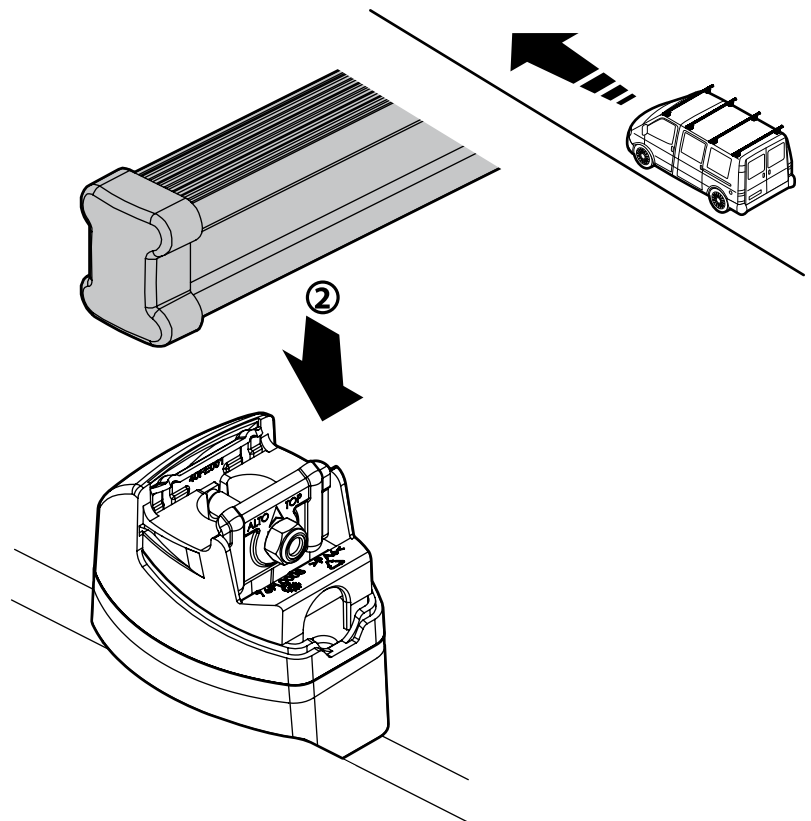
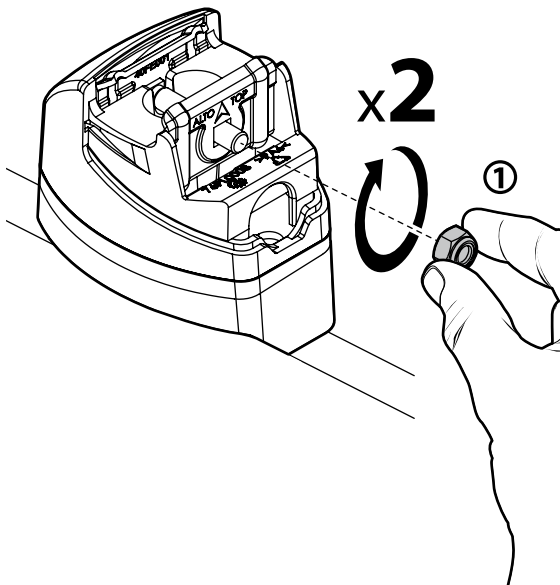
NO ✗

NO ✗

4



5



6

A

Kargo

ACCIAIO
Steel

Diagram A illustrates the installation of the Kargo steel bar. It shows a cross-section of the steel bar and a top-down view of the bar being placed onto a vehicle's roof rails. Step 1 shows the bar being lowered onto the rails, and step 2 shows the bar being secured with nuts and washers.

B

Kargo-Plus

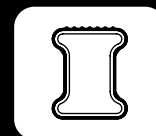
ALLUMINIO
Aluminium

Diagram B illustrates the installation of the Kargo-Plus aluminium bar. It shows a cross-section of the aluminium bar and a top-down view of the bar being placed onto a vehicle's roof rails. Step 1 shows the bar being lowered onto the rails, and step 2 shows the bar being secured with nuts and washers. Step 3 shows the bar being secured with a lock.

7

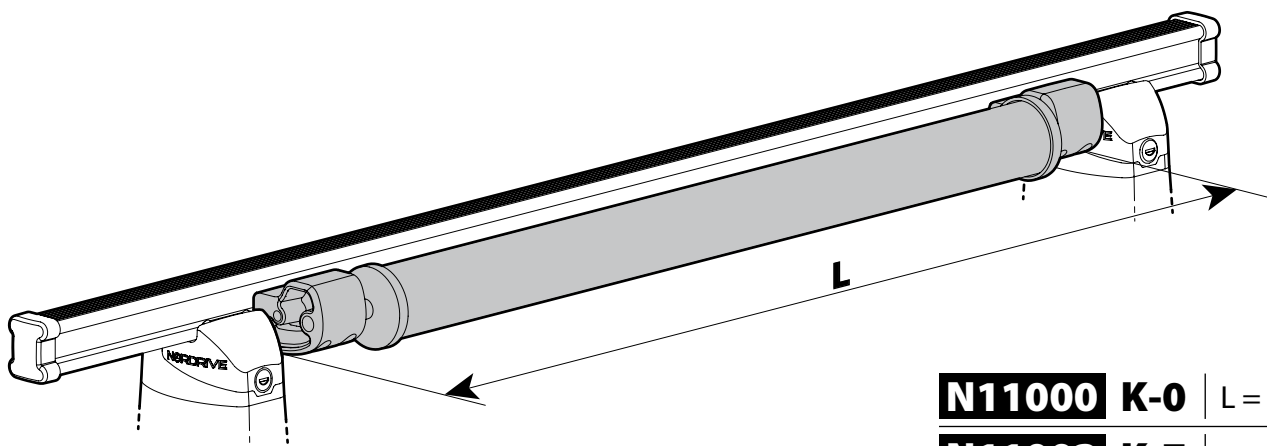
Diagram 7 illustrates the locking mechanism of the Kargo bar. It shows a close-up of the bar's end with a wrench being used to tighten a lock. A torque specification of 8Nm is indicated. A legend shows the 'Opened', 'Lock', and 'Locked' states of the lock. An inset image shows a van with the bar installed on its roof.

Kargo series



Acciaio / Steel

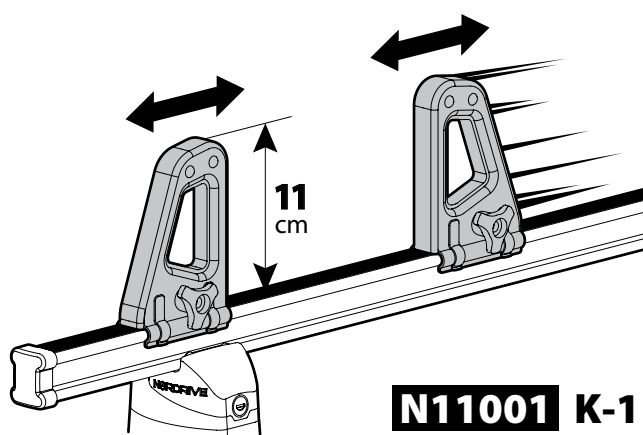
Kargo Roller



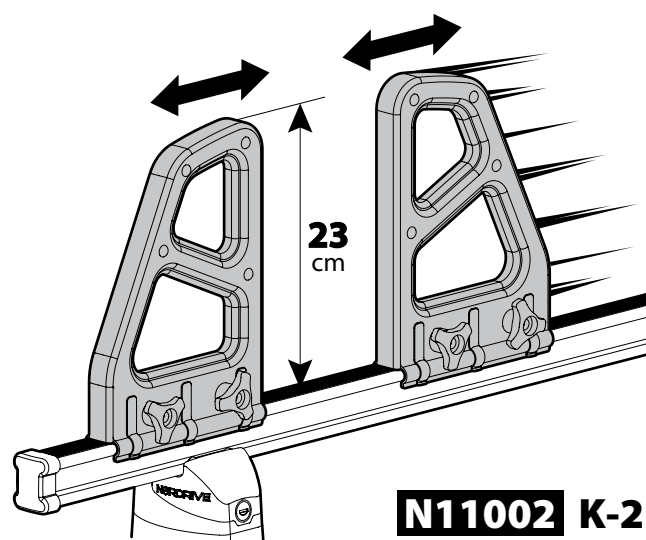
N11000 K-0 | L = 64 cm

N11003 K-7 | L = 96 cm

Load Stops

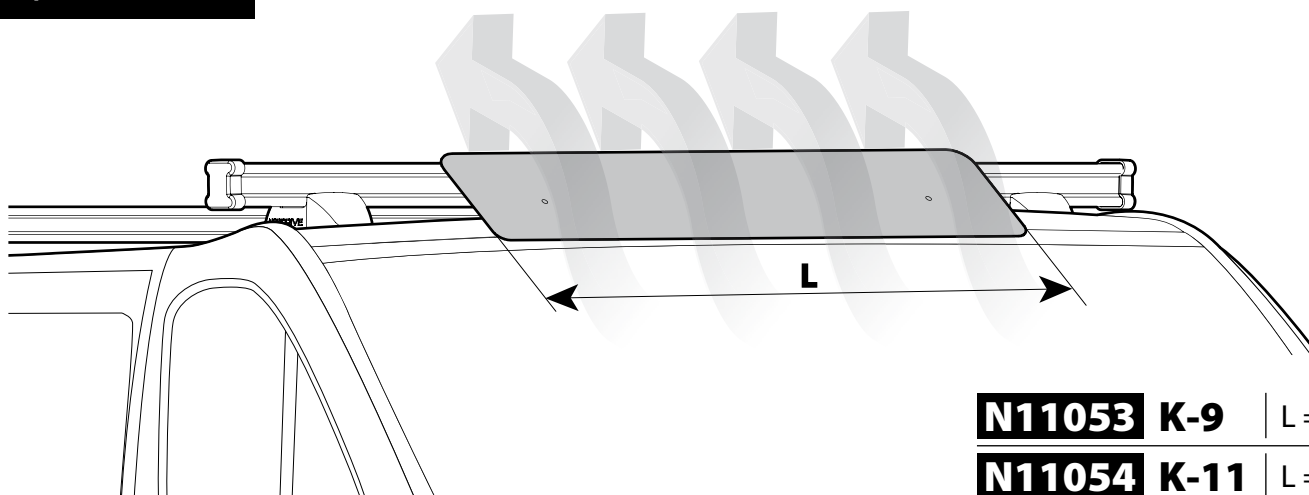


N11001 K-1



N11002 K-2

Spoiler

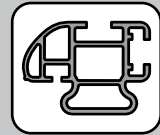


N11053 K-9 | L = 95 cm

N11054 K-11 | L = 110 cm

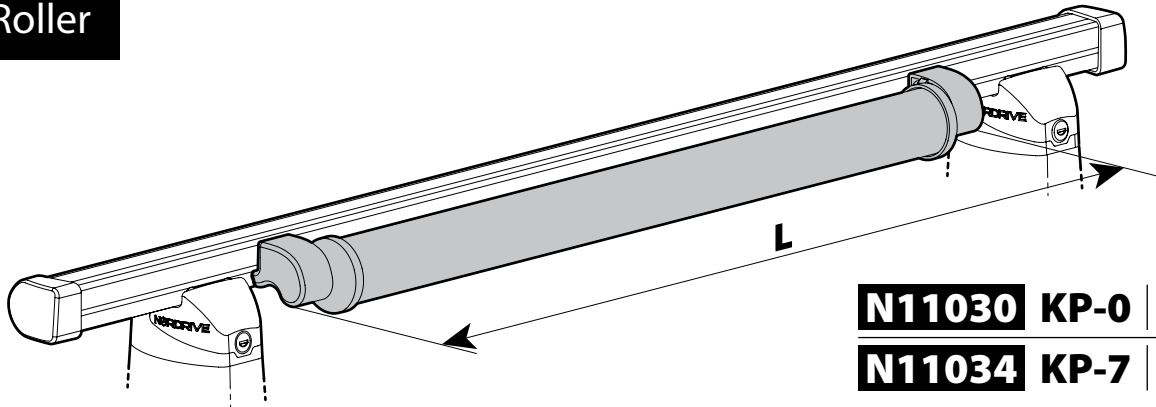
OPTIONALS PER / FOR / FÜR:

Kargo-Plus series



Alluminio / Aluminium

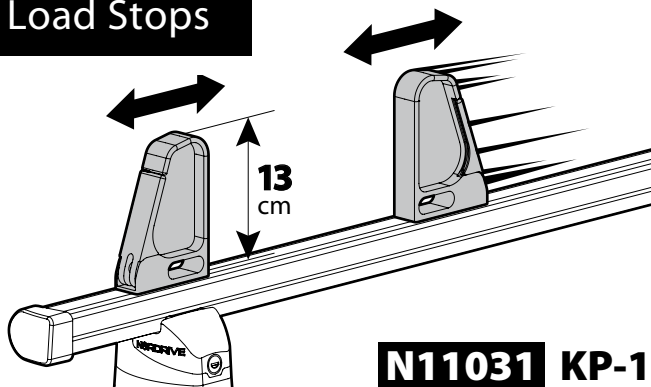
Kargo Roller



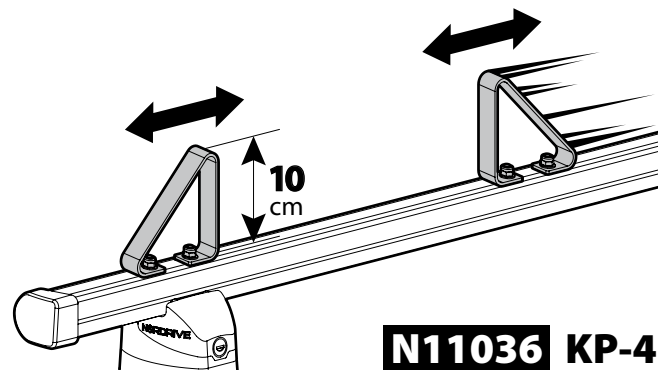
N11030 KP-0 | L = 64 cm

N11034 KP-7 | L = 96 cm

Load Stops

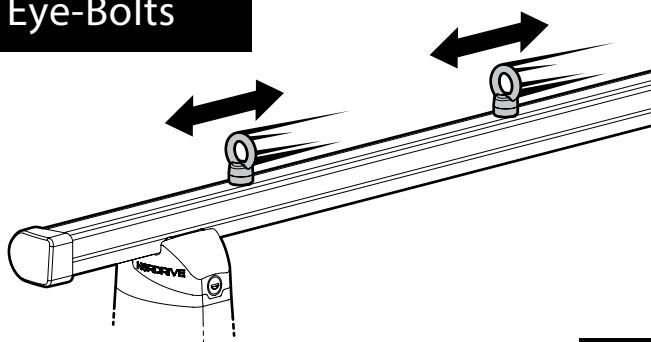


N11031 KP-1

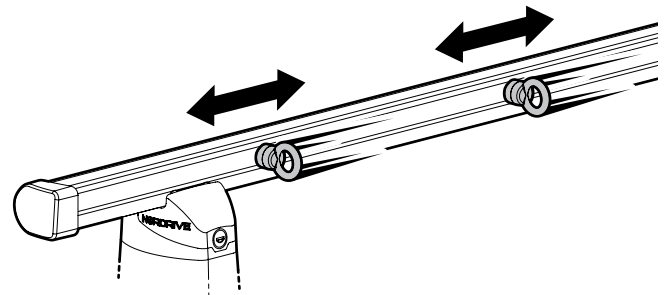


N11036 KP-4

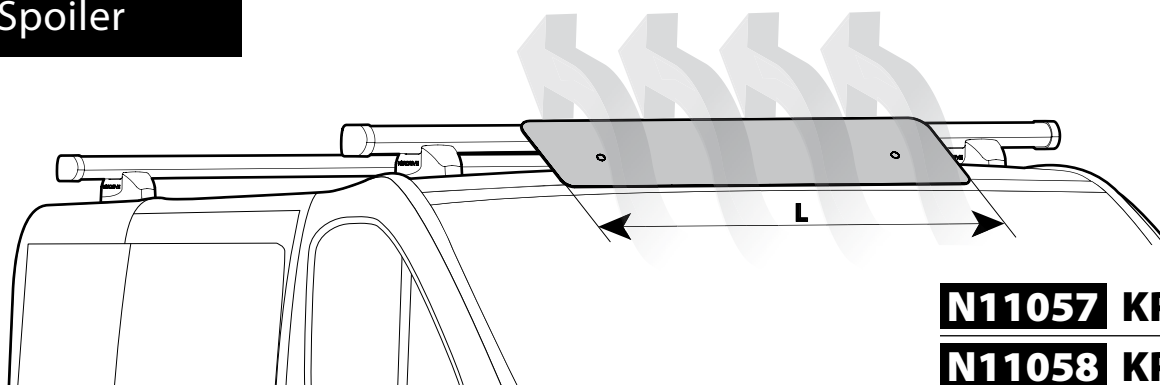
Eye-Bolts



N11033 KP-3



Spoiler



N11057 KP-9 | L = 95 cm

N11058 KP-11 | L = 110 cm

OPTIONALS PER / FOR / FÜR:

Kargo series



Acciaio / Steel

Kargo-Plus
series



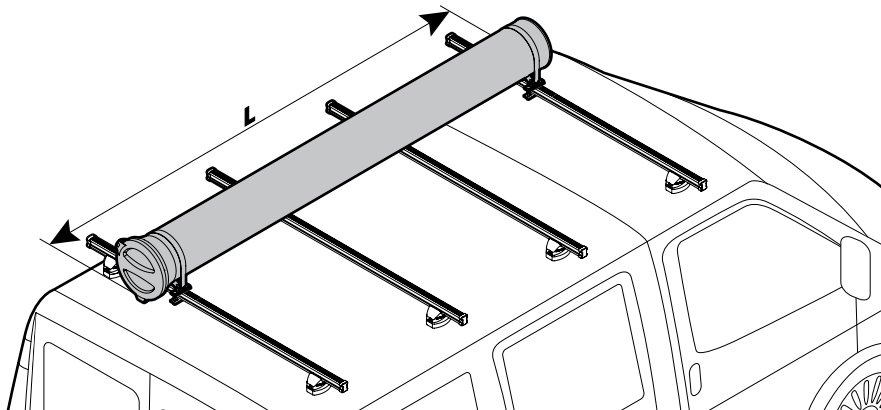
Alluminio / Aluminium

Kargo Tube

N11050 T200 | L = 205 cm

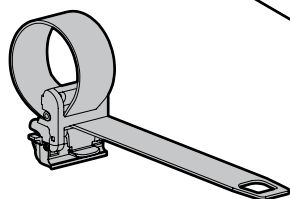
N11051 T300 | L = 305 cm

N11052 T400 | L = 405 cm

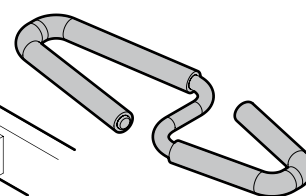
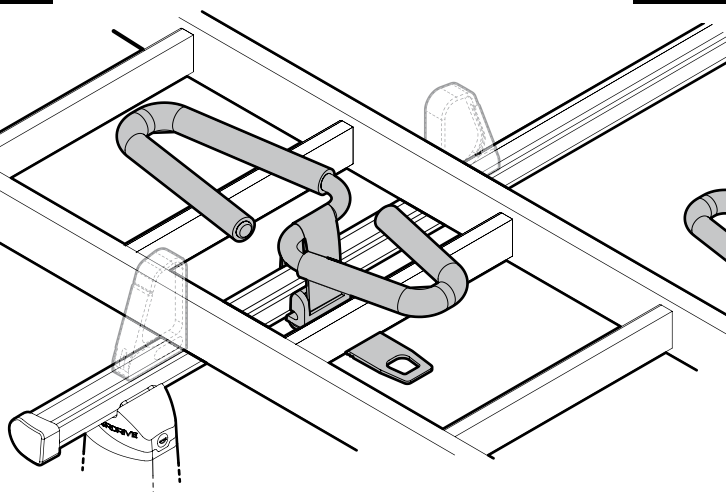


Ladder Holder Straps

Ladder Step Adapter



N11065 U-5

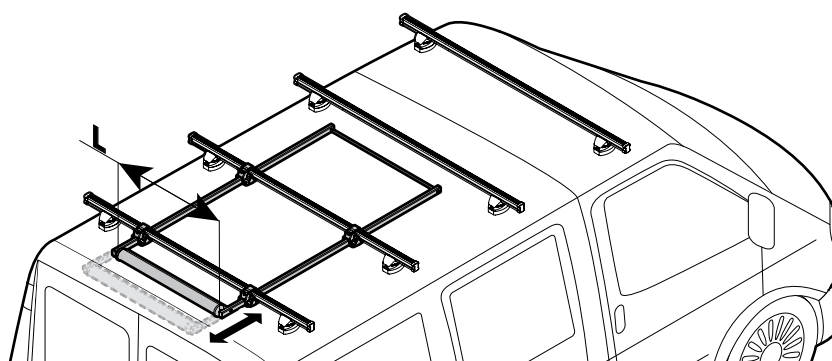


N11067 U-6

Extension Roller

N11020 U-0 | L = 64 cm

N11021 U-7 | L = 96 cm



- I** Lotto di produzione da comunicare per eventuali ricambi
- GB** Production lot number to be communicated for any spare parts
- F** Lot de production à communiquer pour toute pièce de rechange
- D** Produktionscharge für eventuelle Ersatzteile
- E** Lote de producción a comunicar por cualquier repuesto

Lot.

NORDRIVE®
TRANSPORT SOLUTIONS

NORDRIVE® is a registered trademark of
LAMPA S.p.A.
Via G. Rossa 53/55, 46019 Viadana (MN) ITALY
Tel. +39 0375 820700
UNI EN ISO 9001:2008 Certified Company
www.nordrive.it
www.lampa.it